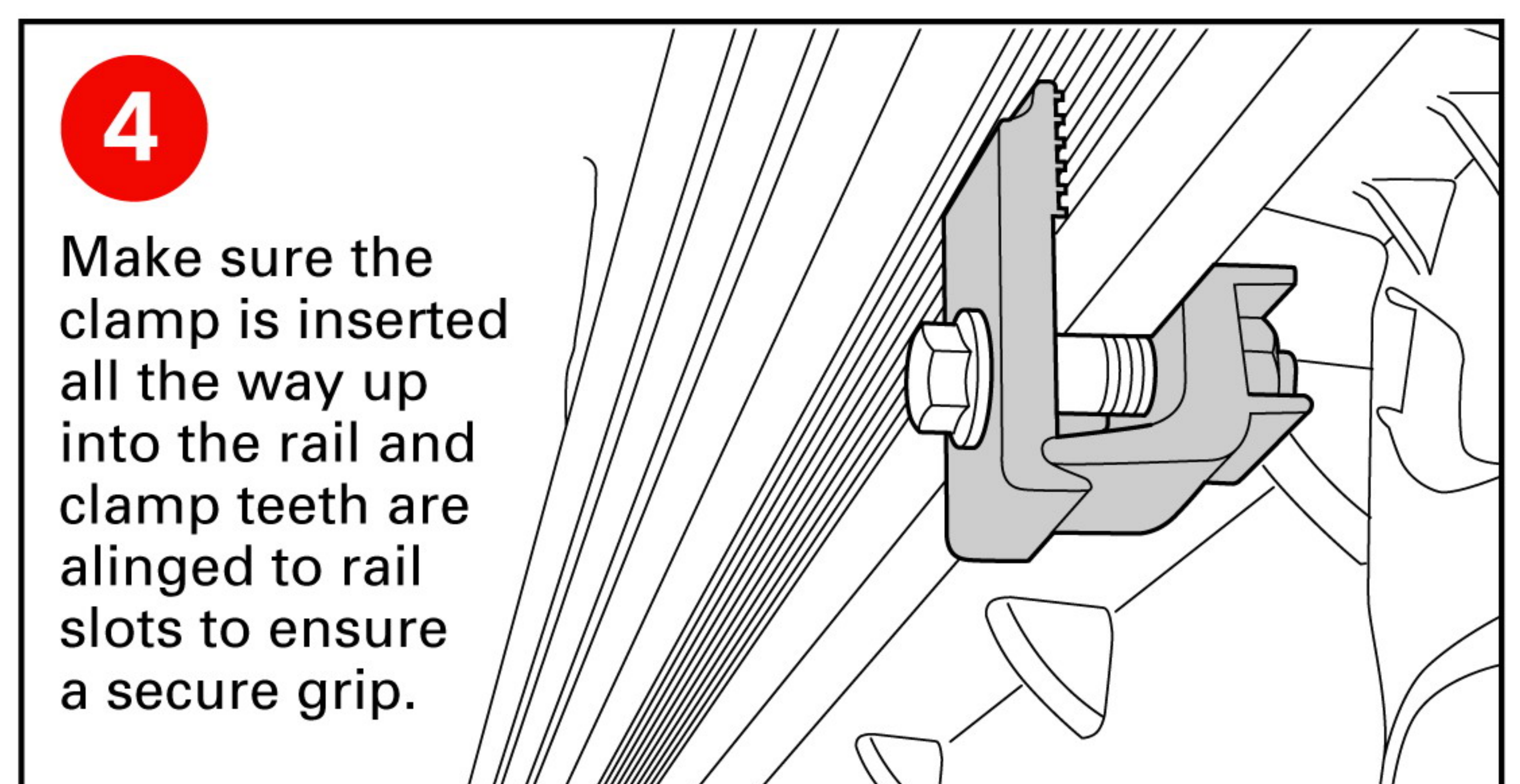
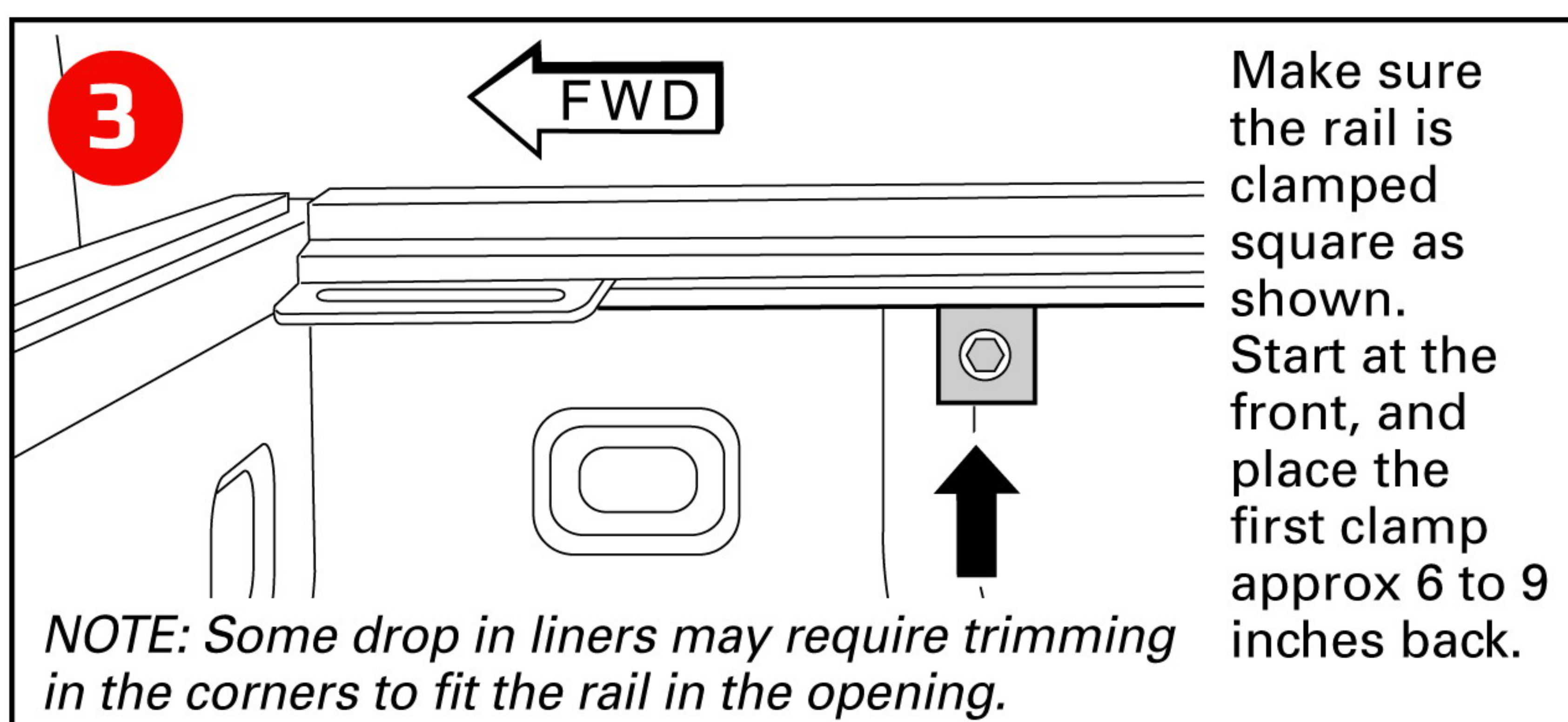
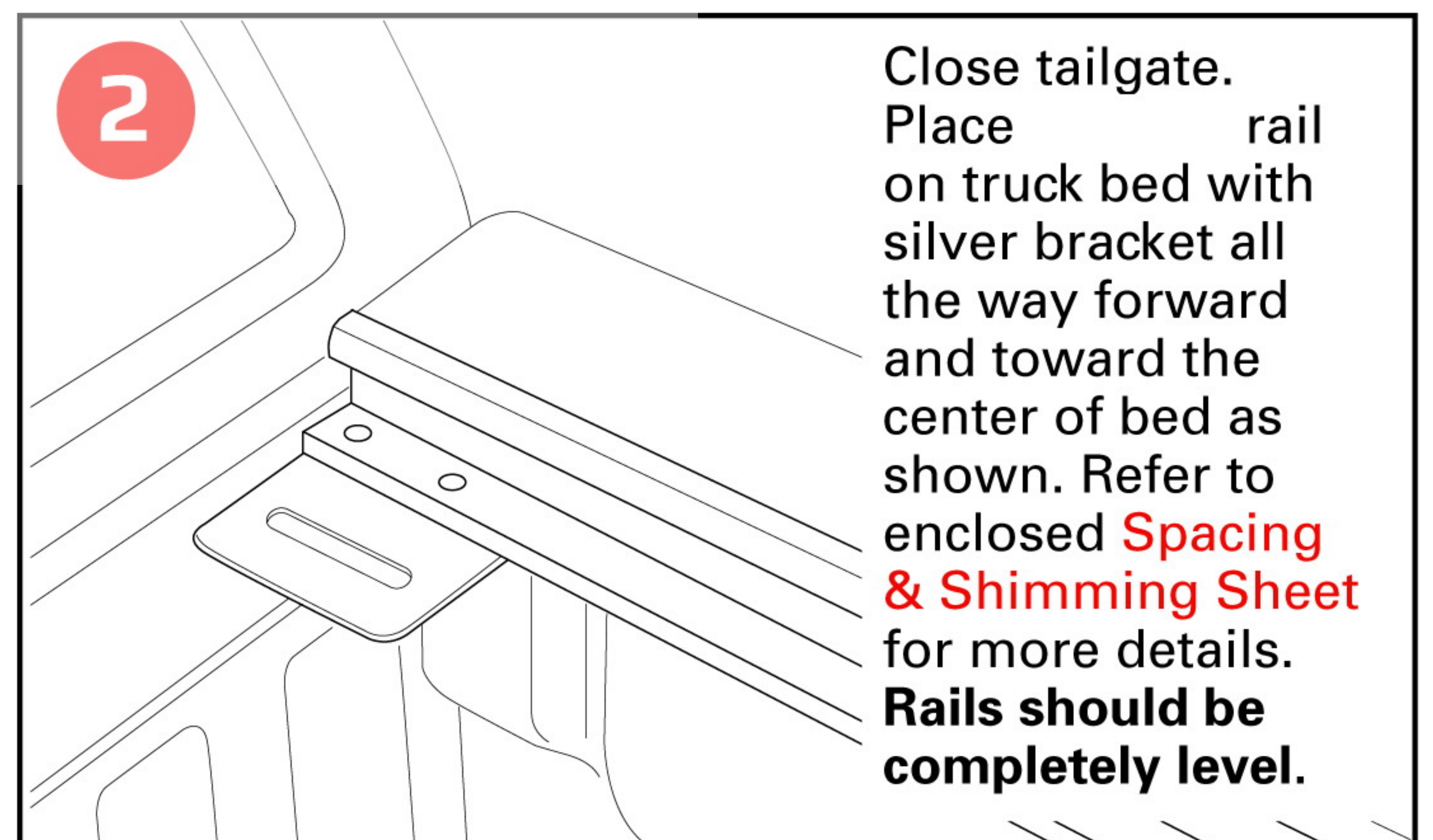
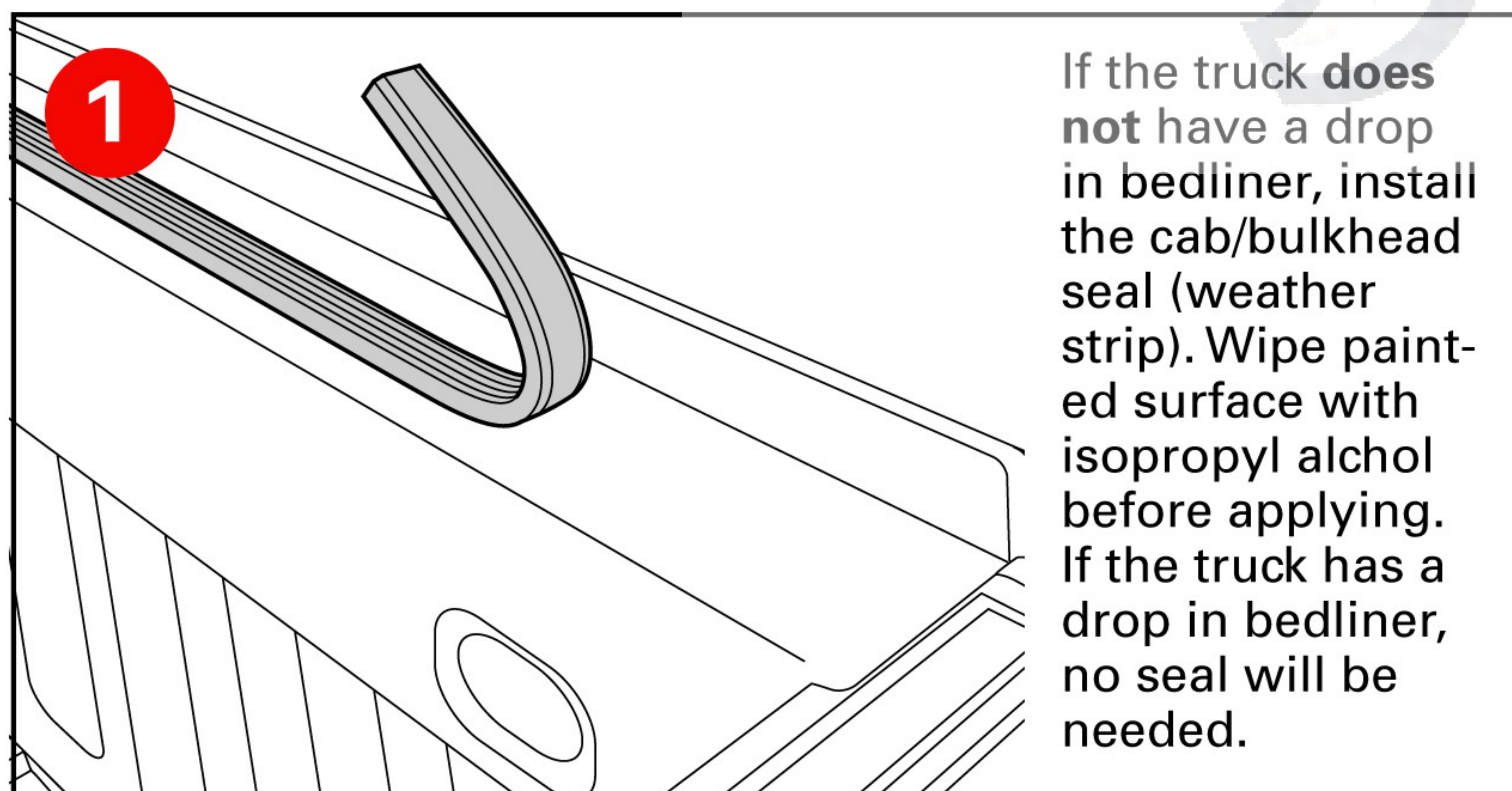
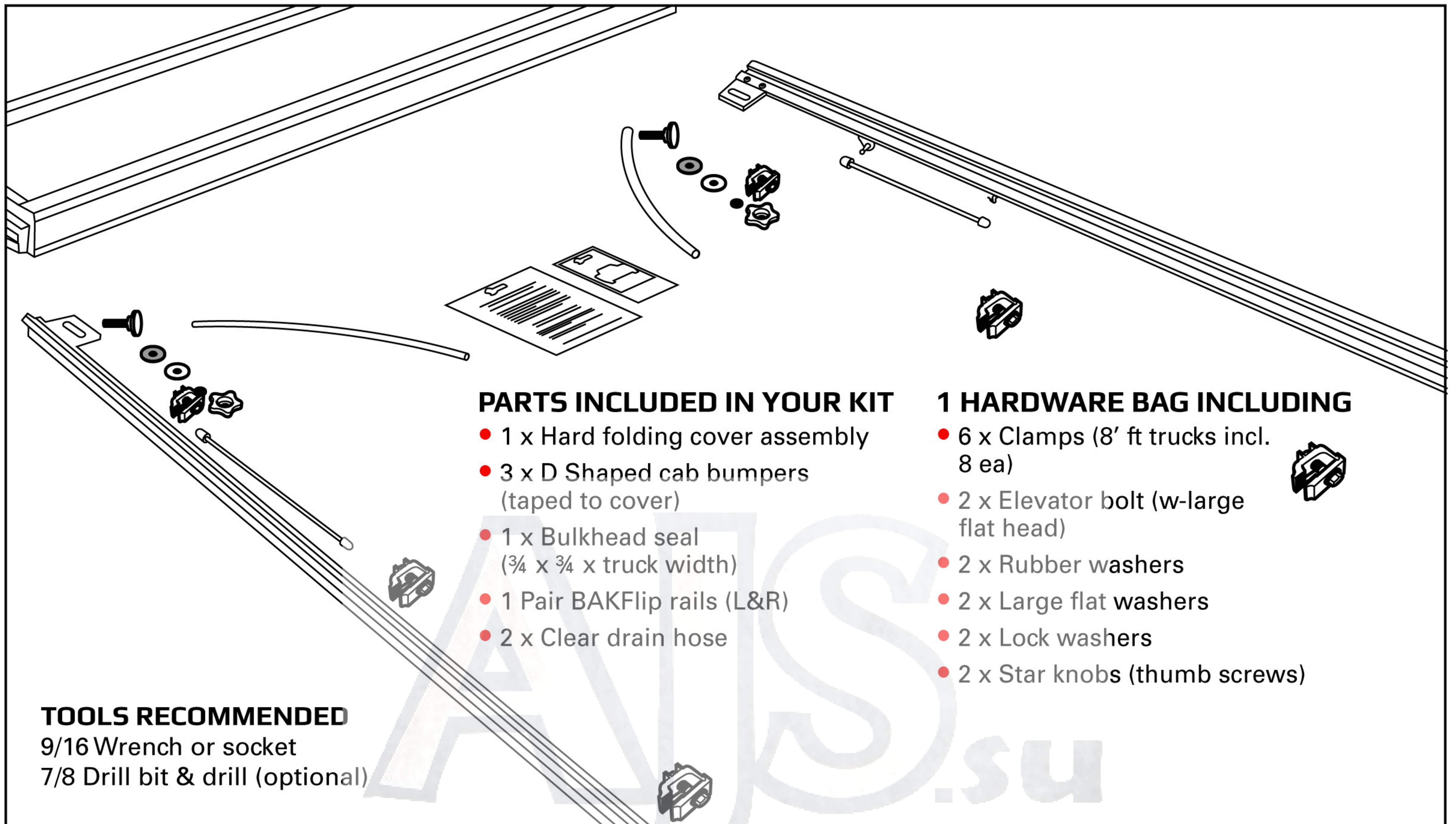
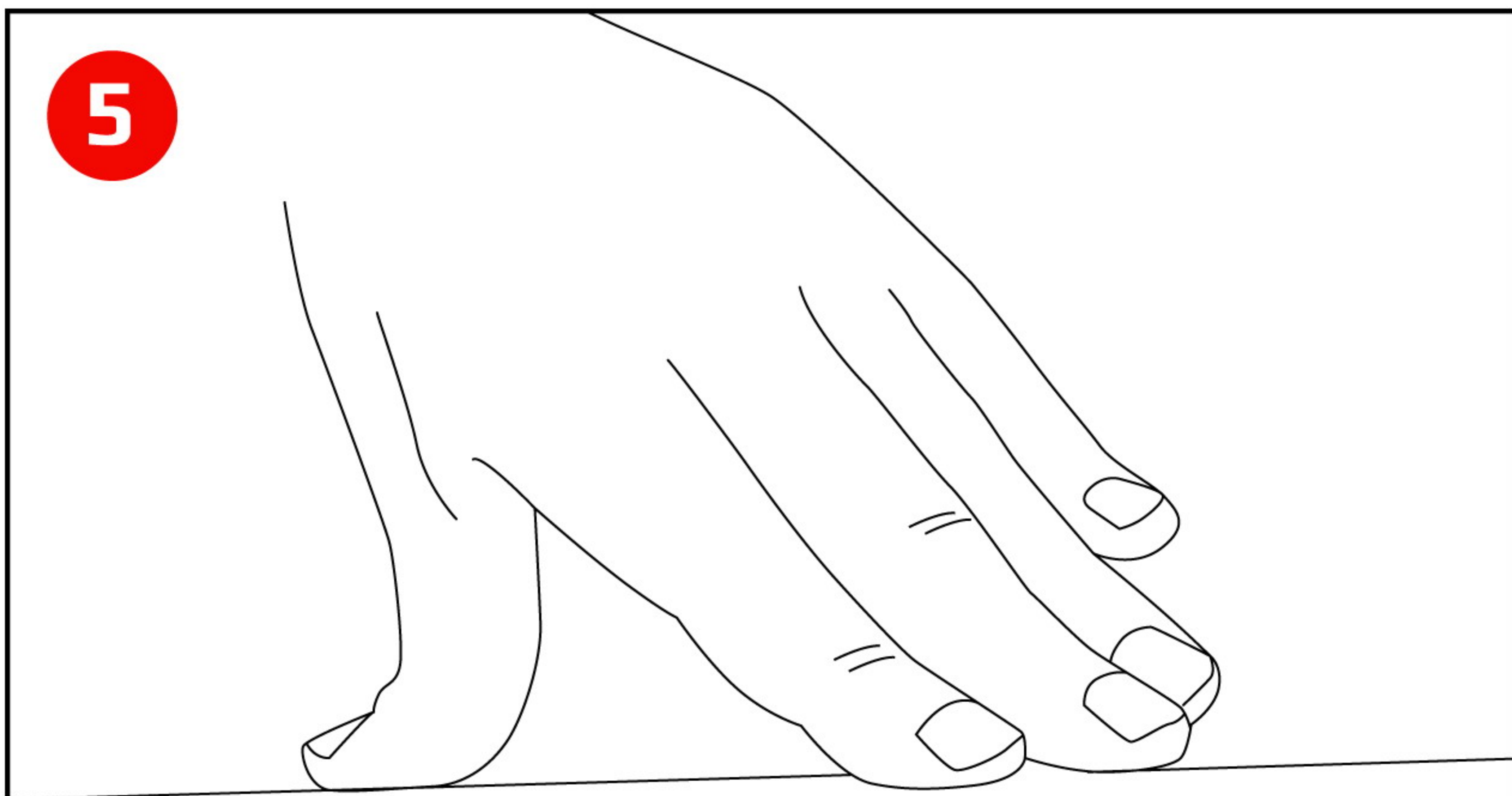


A TYPE

INSTALLATION SHEET

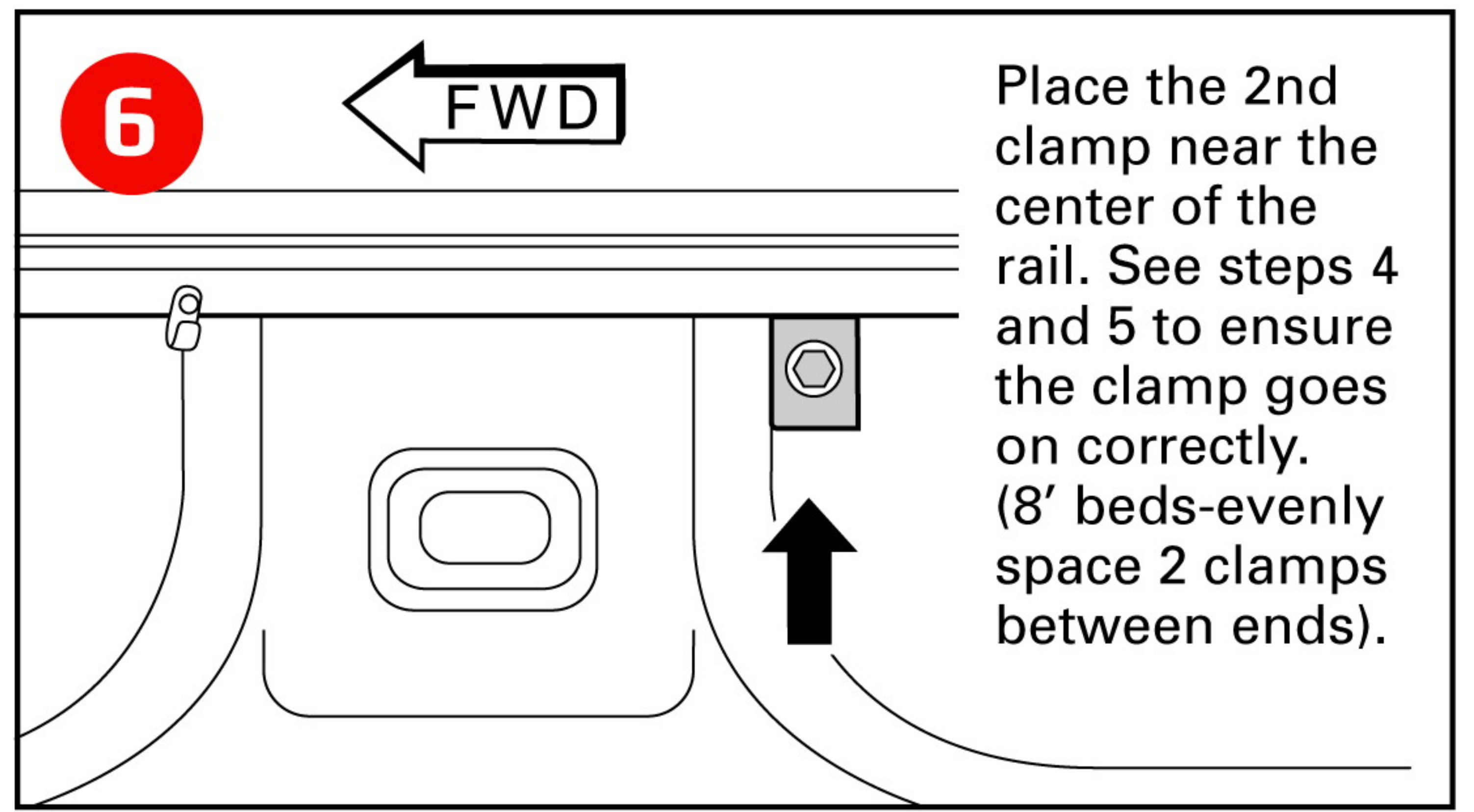
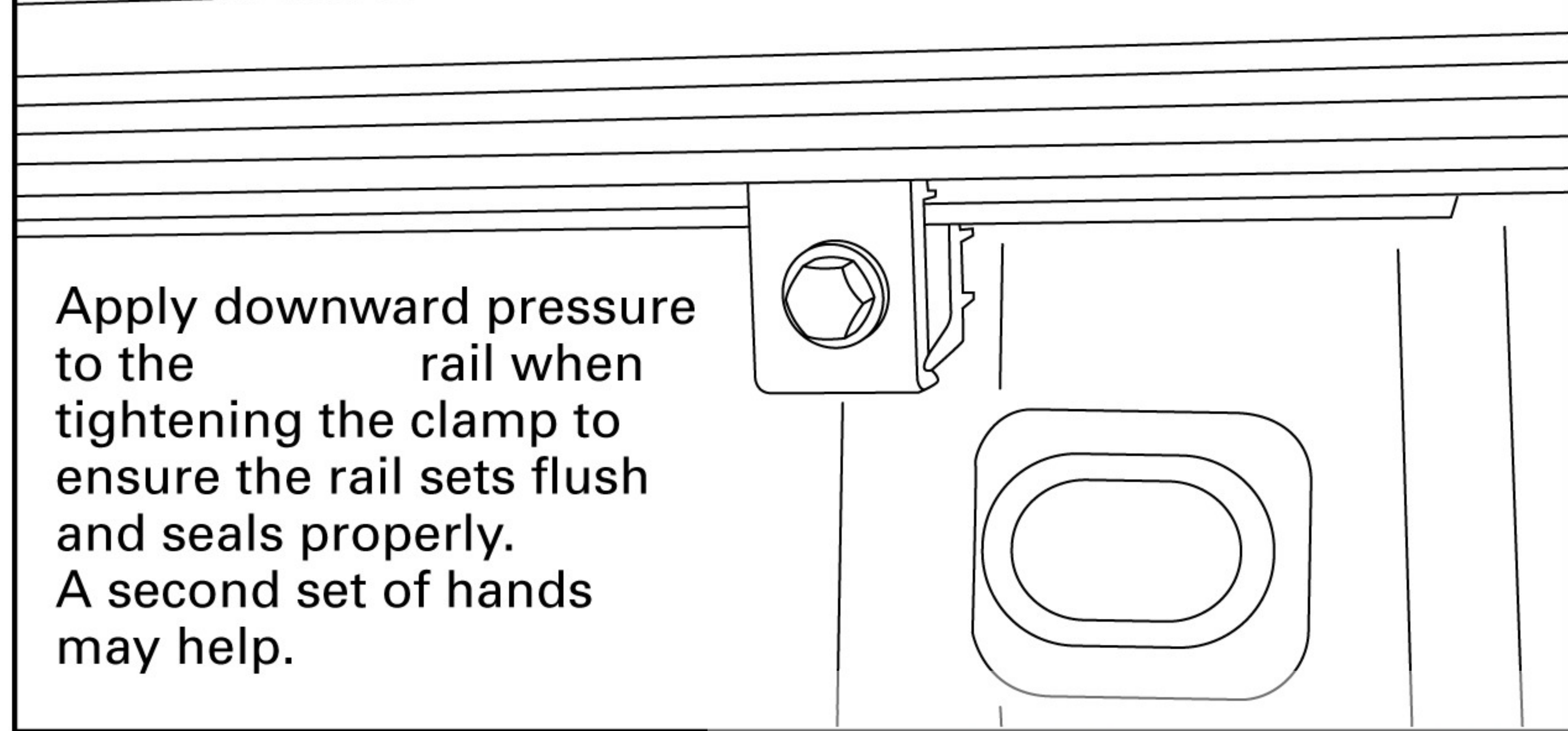
HARD FOLDING COVER





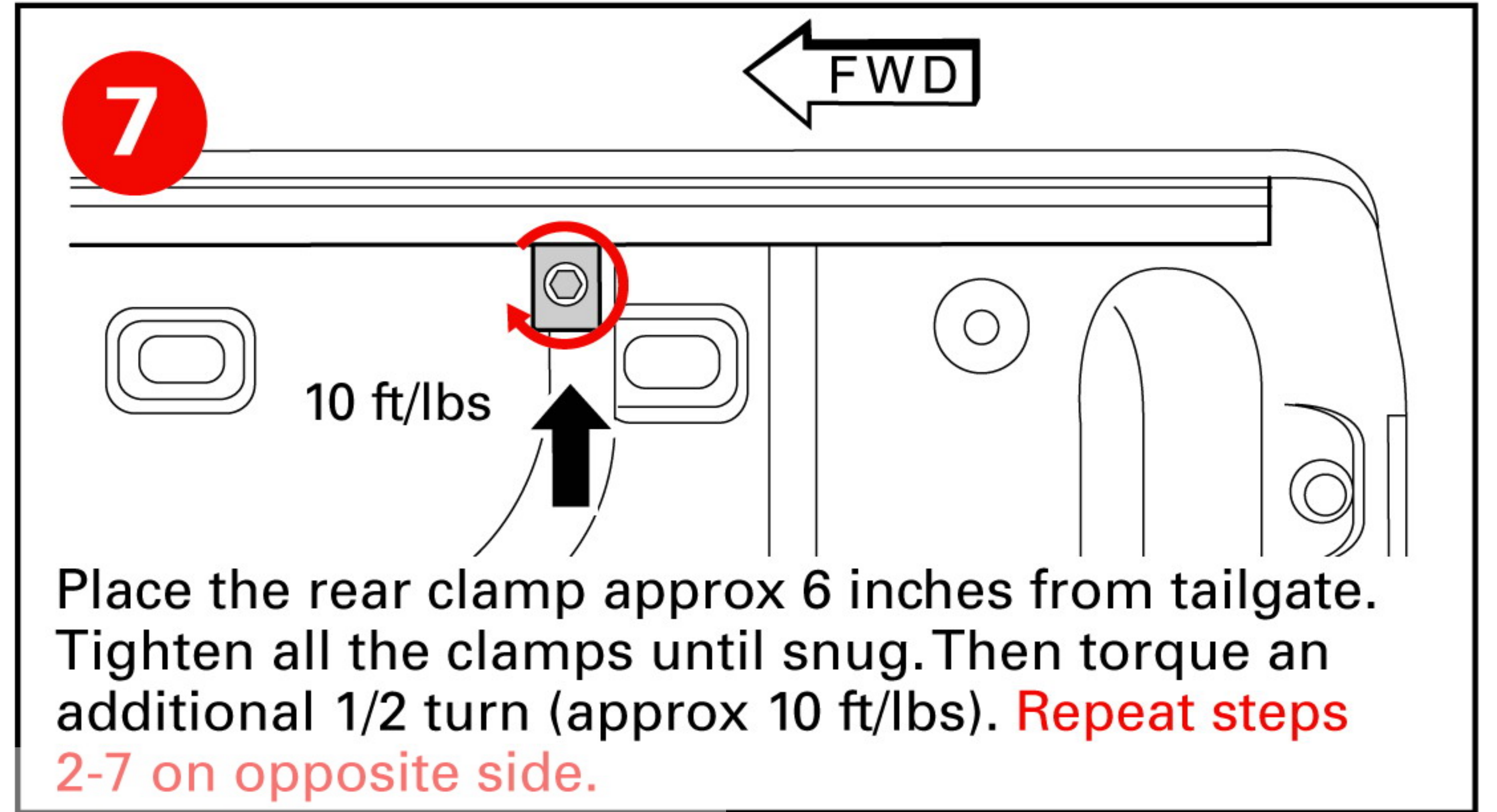
5

Apply downward pressure to the rail when tightening the clamp to ensure the rail sets flush and seals properly. A second set of hands may help.



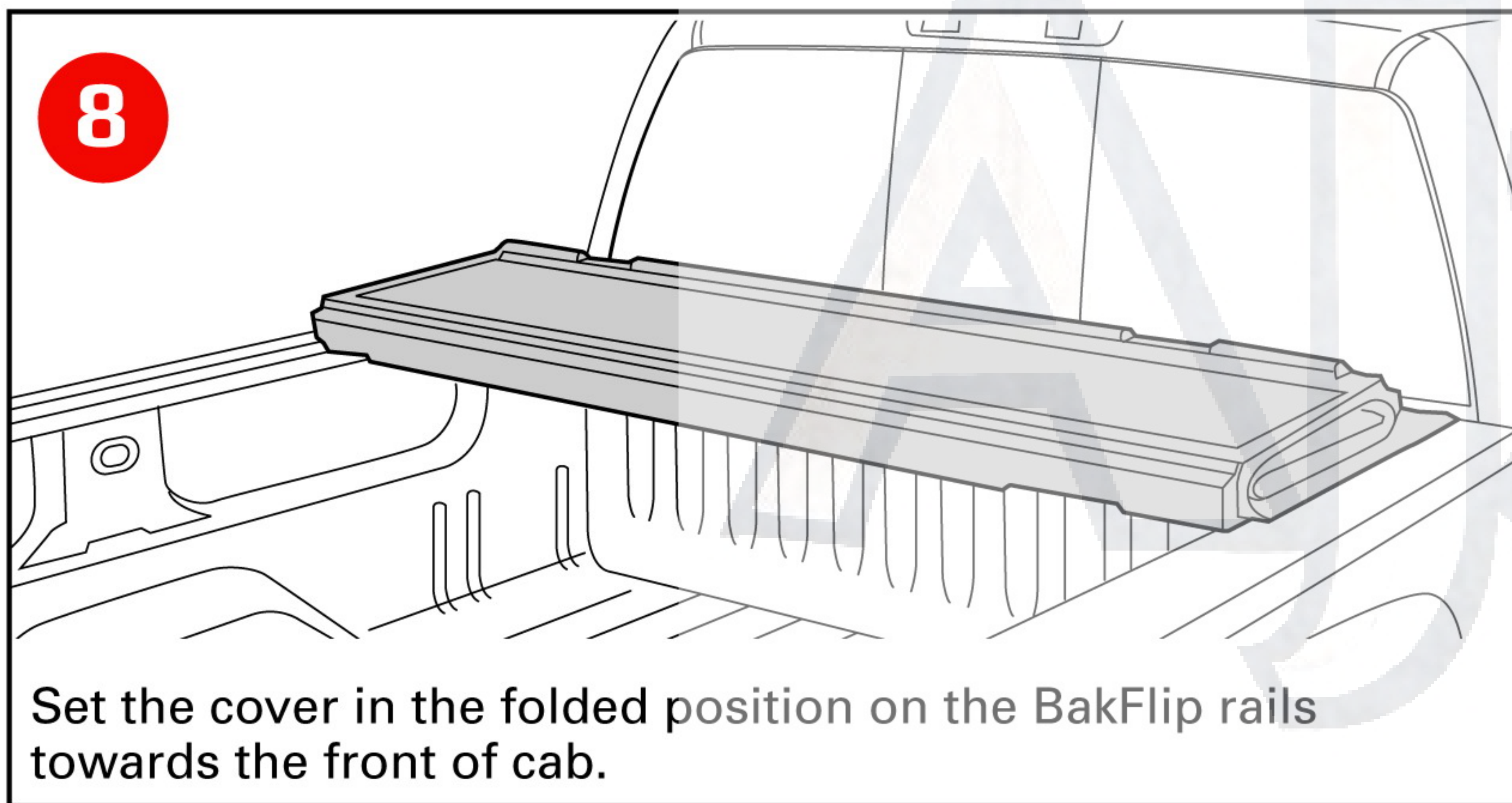
6

Place the 2nd clamp near the center of the rail. See steps 4 and 5 to ensure the clamp goes on correctly. (8' beds-evenly space 2 clamps between ends).



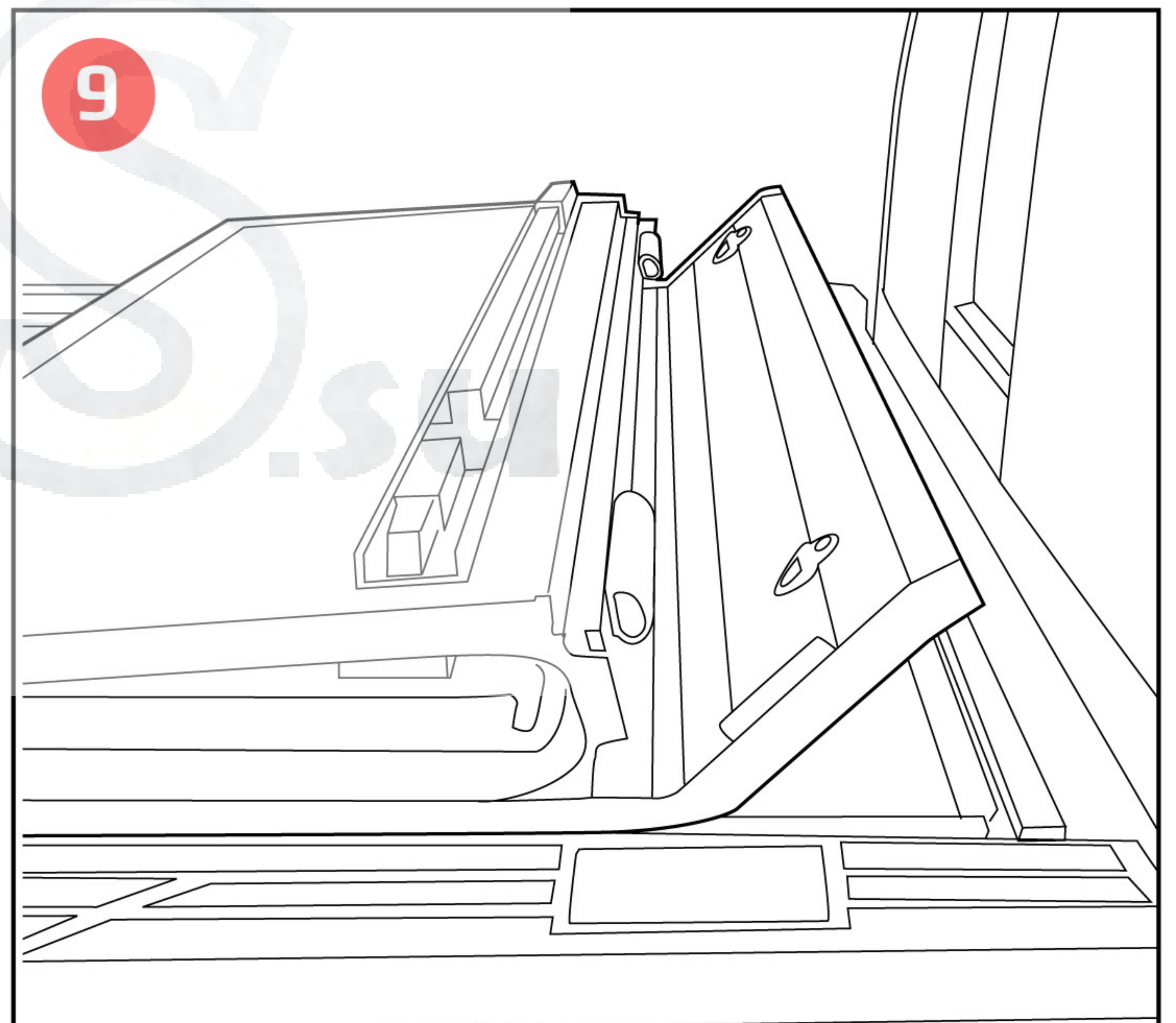
7

Place the rear clamp approx 6 inches from tailgate. Tighten all the clamps until snug. Then torque an additional 1/2 turn (approx 10 ft/lbs). Repeat steps 2-7 on opposite side.



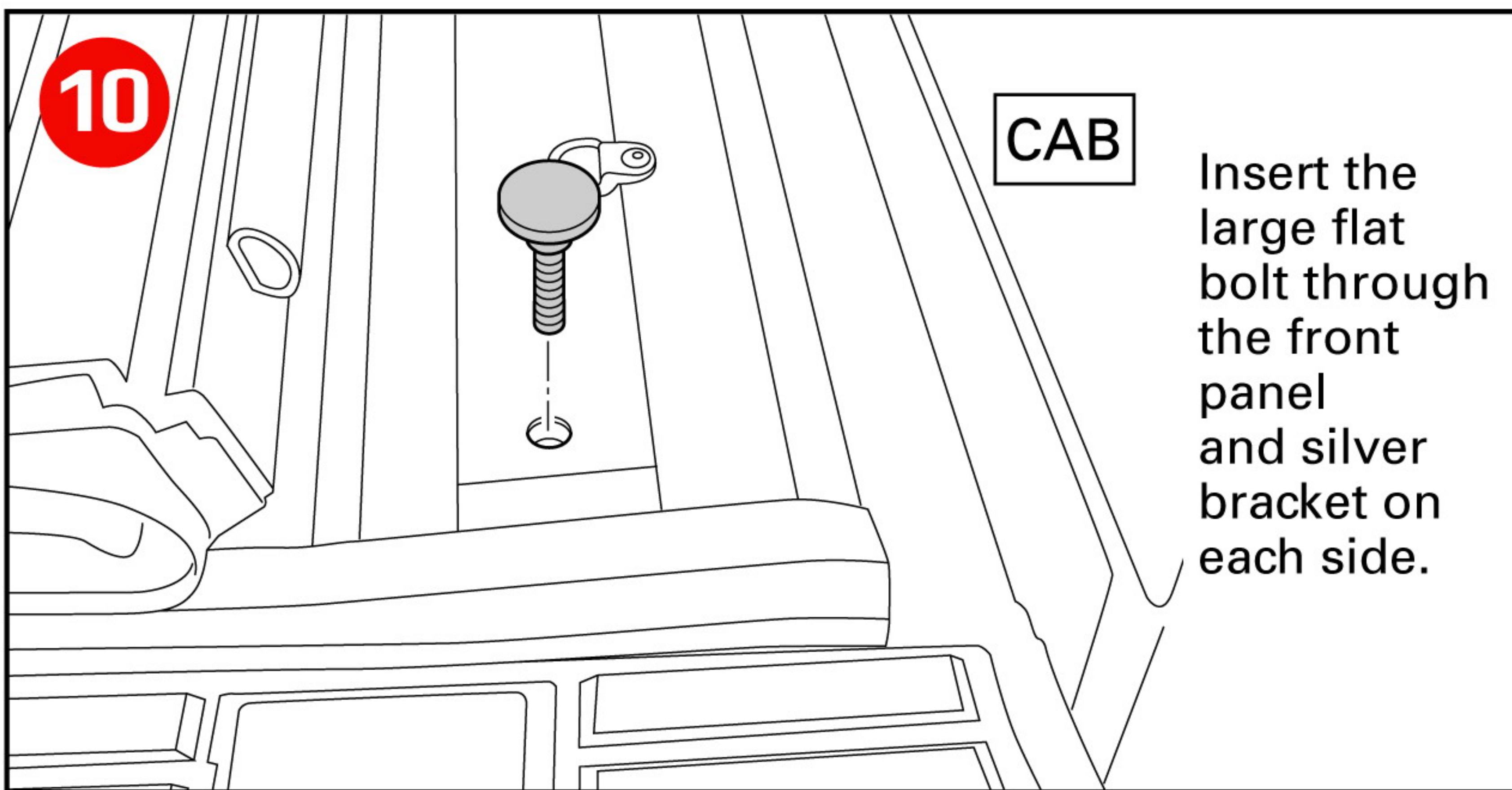
8

Set the cover in the folded position on the BakFlip rails towards the front of cab.



9

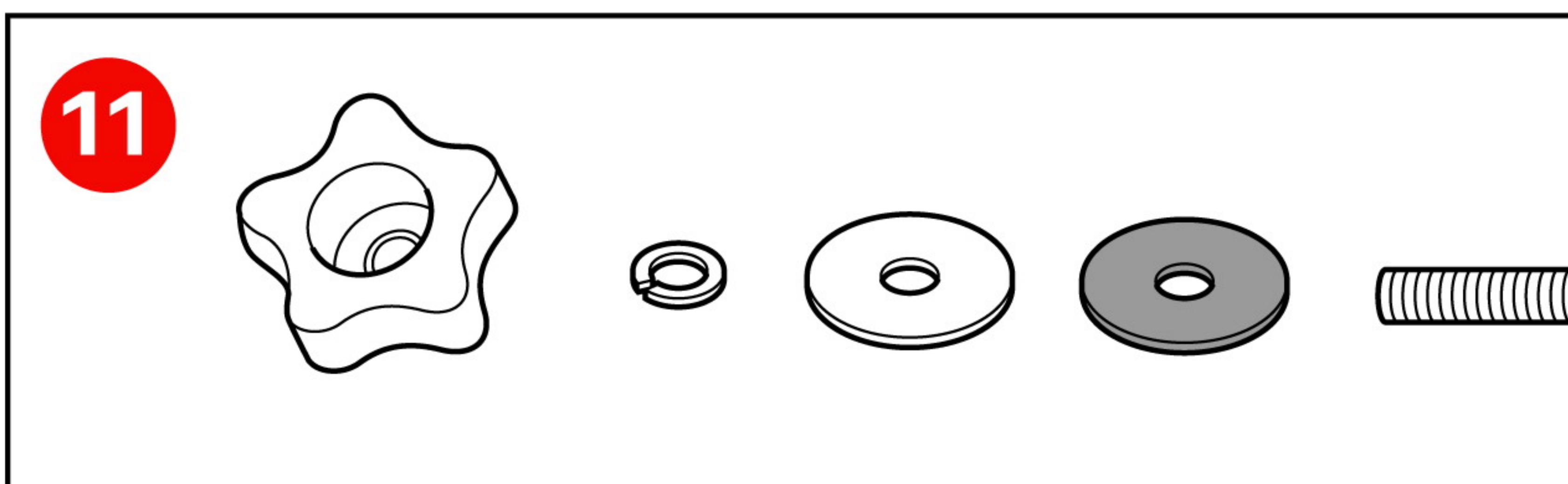
The small panel faces forward, toward the cab and folds down over the silver brackets. The front panel must sit just inside the bulkhead rail with the seal resting on top of the rail. Fold the panel down and align it so it is setting squarely on the rails and align the mounting holes with the silver slotted brackets on the rails.



10

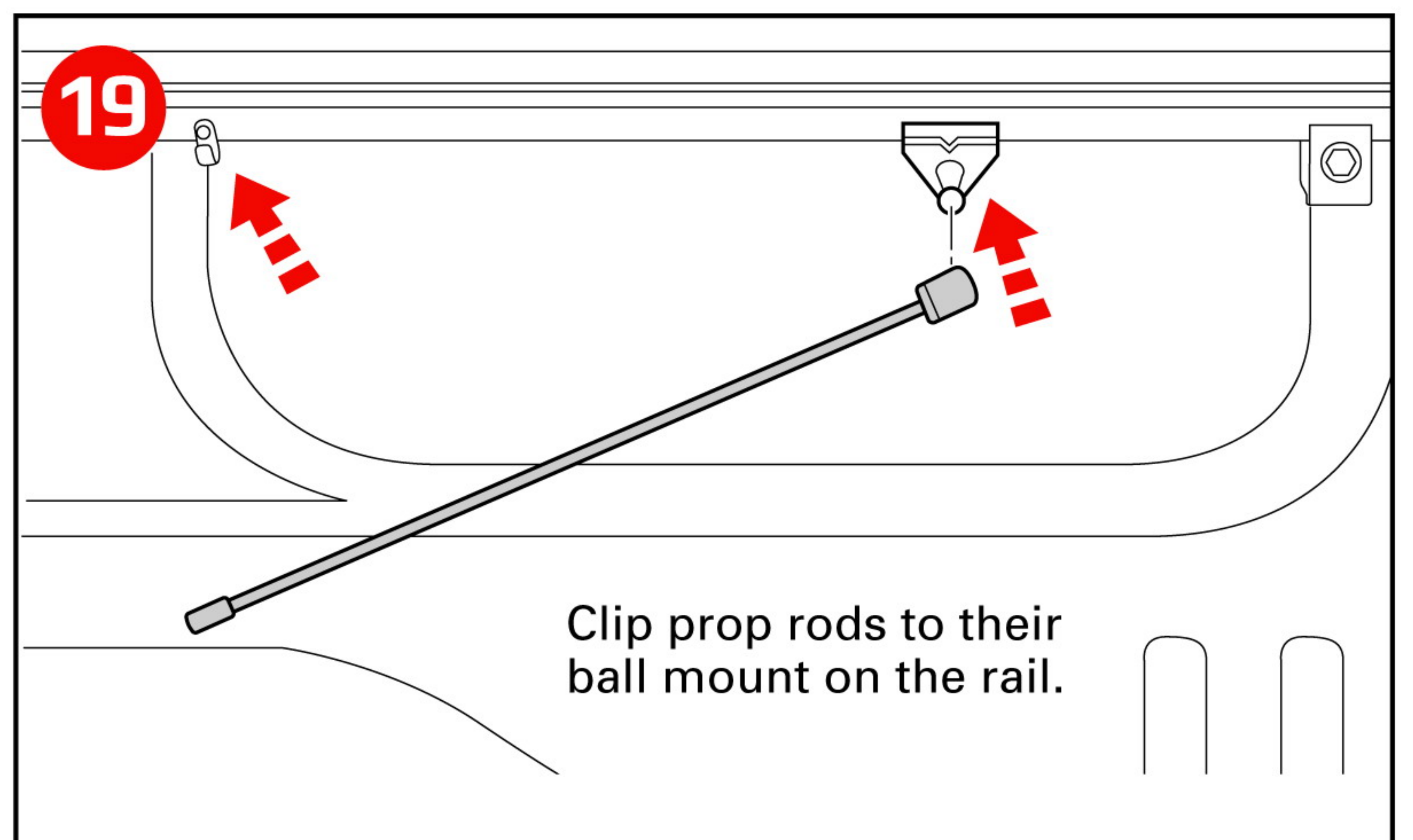
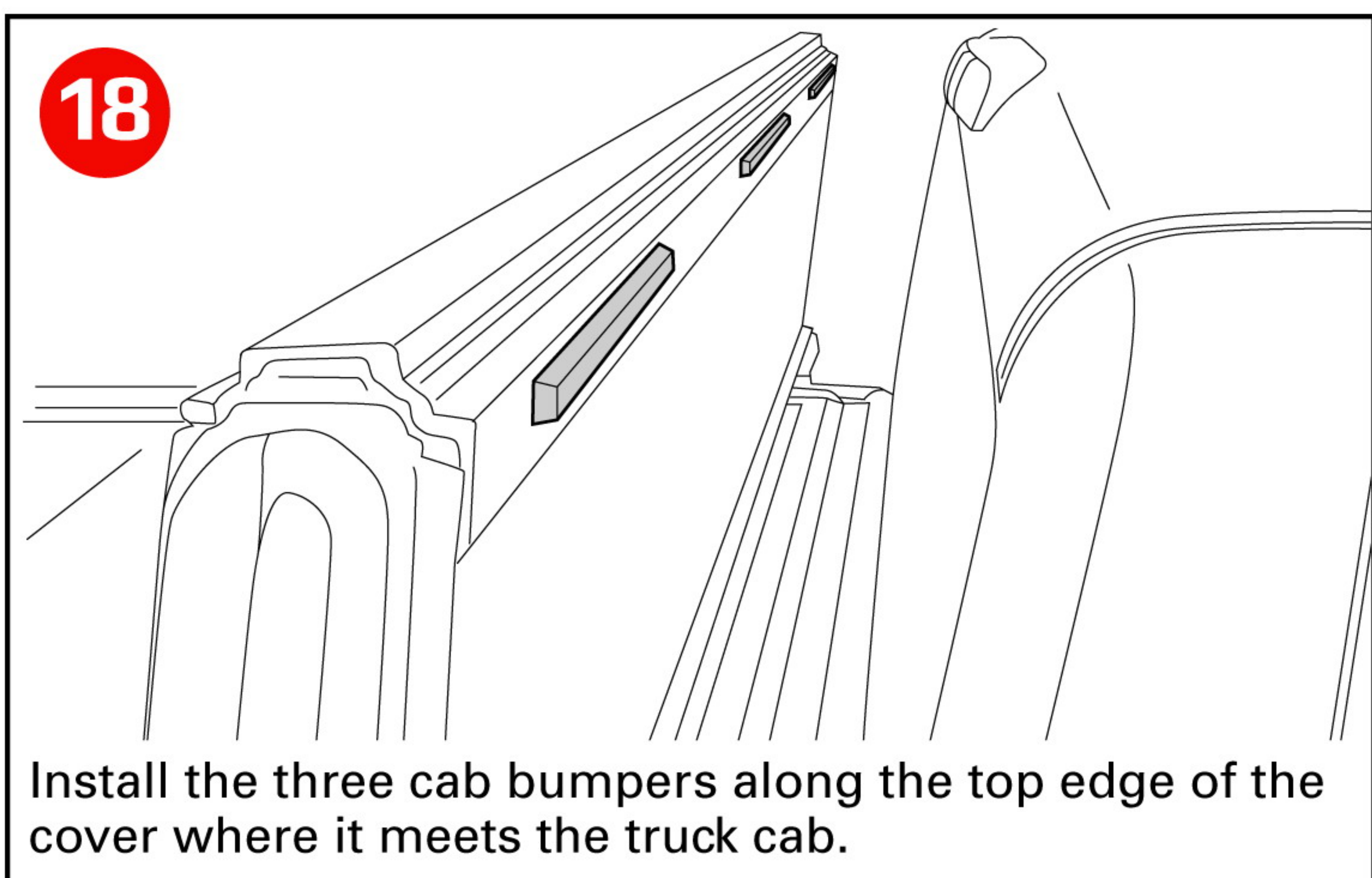
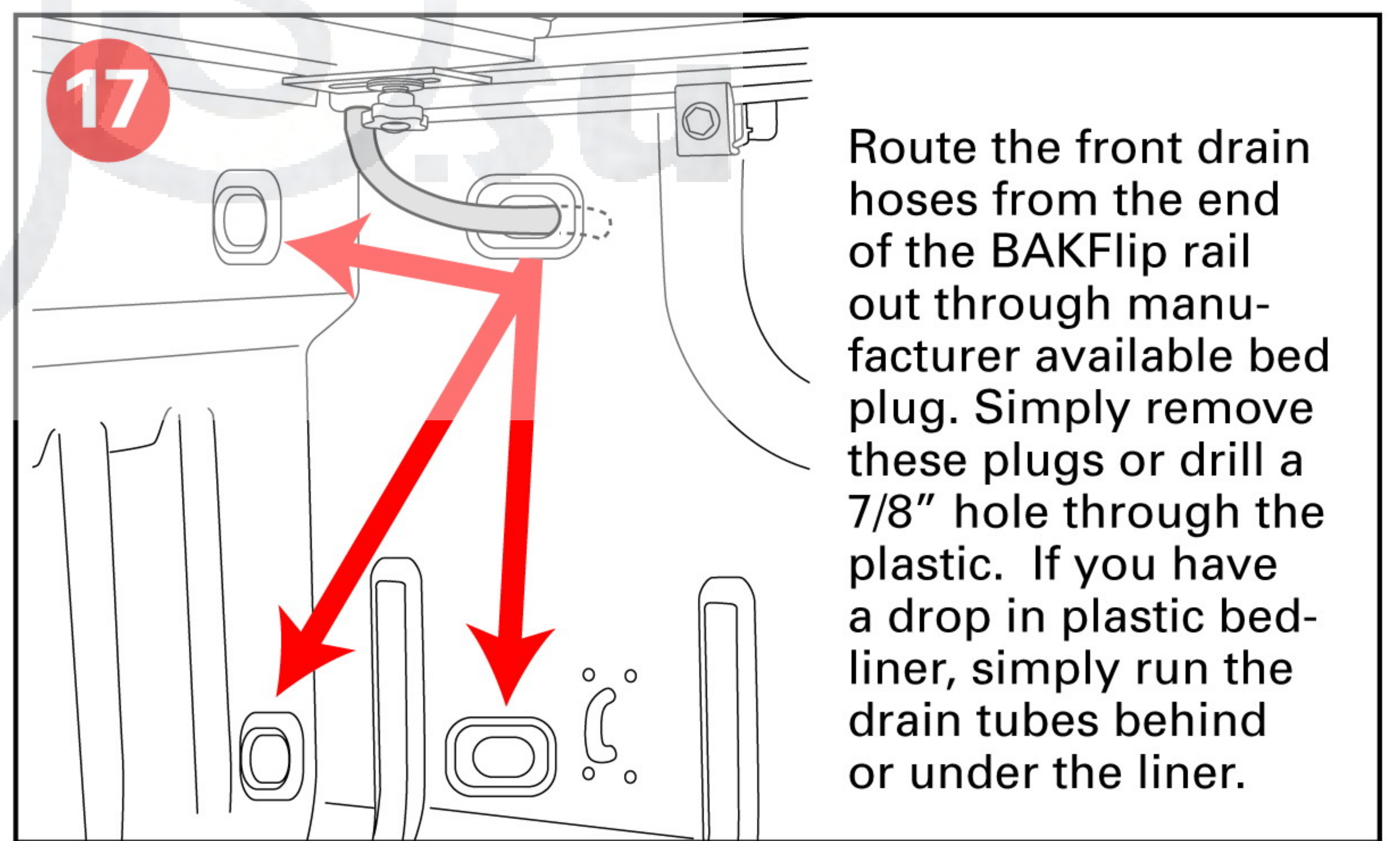
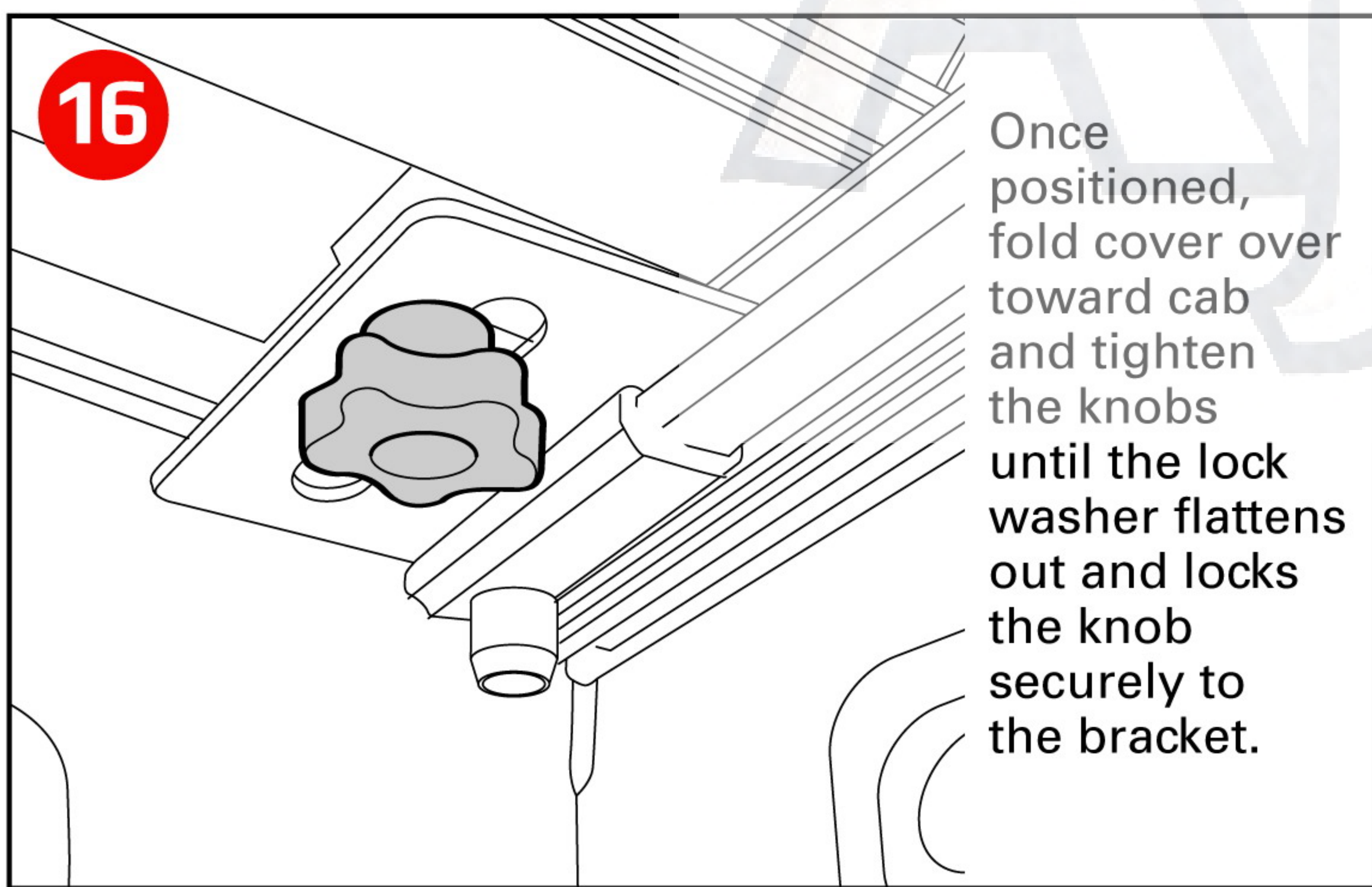
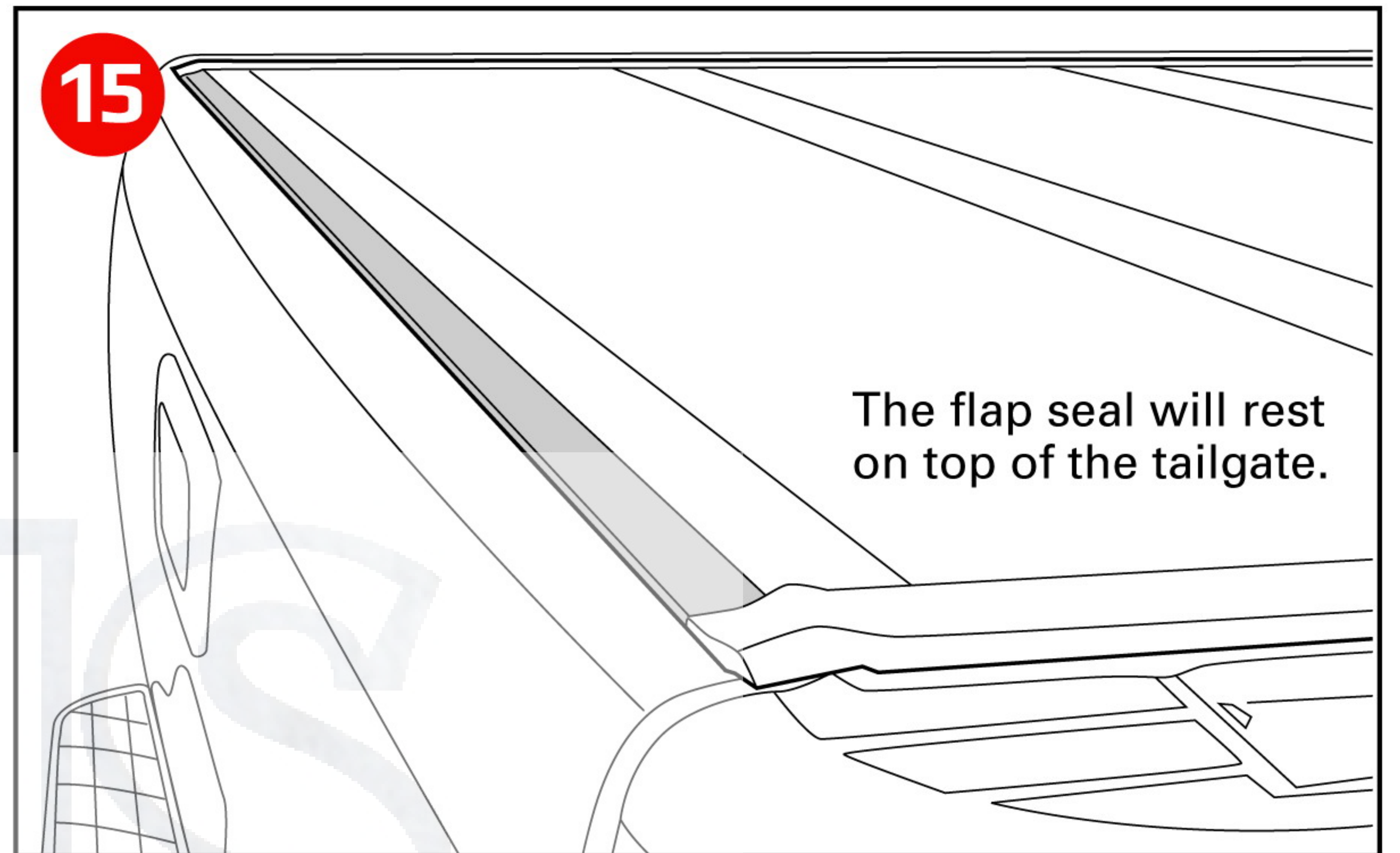
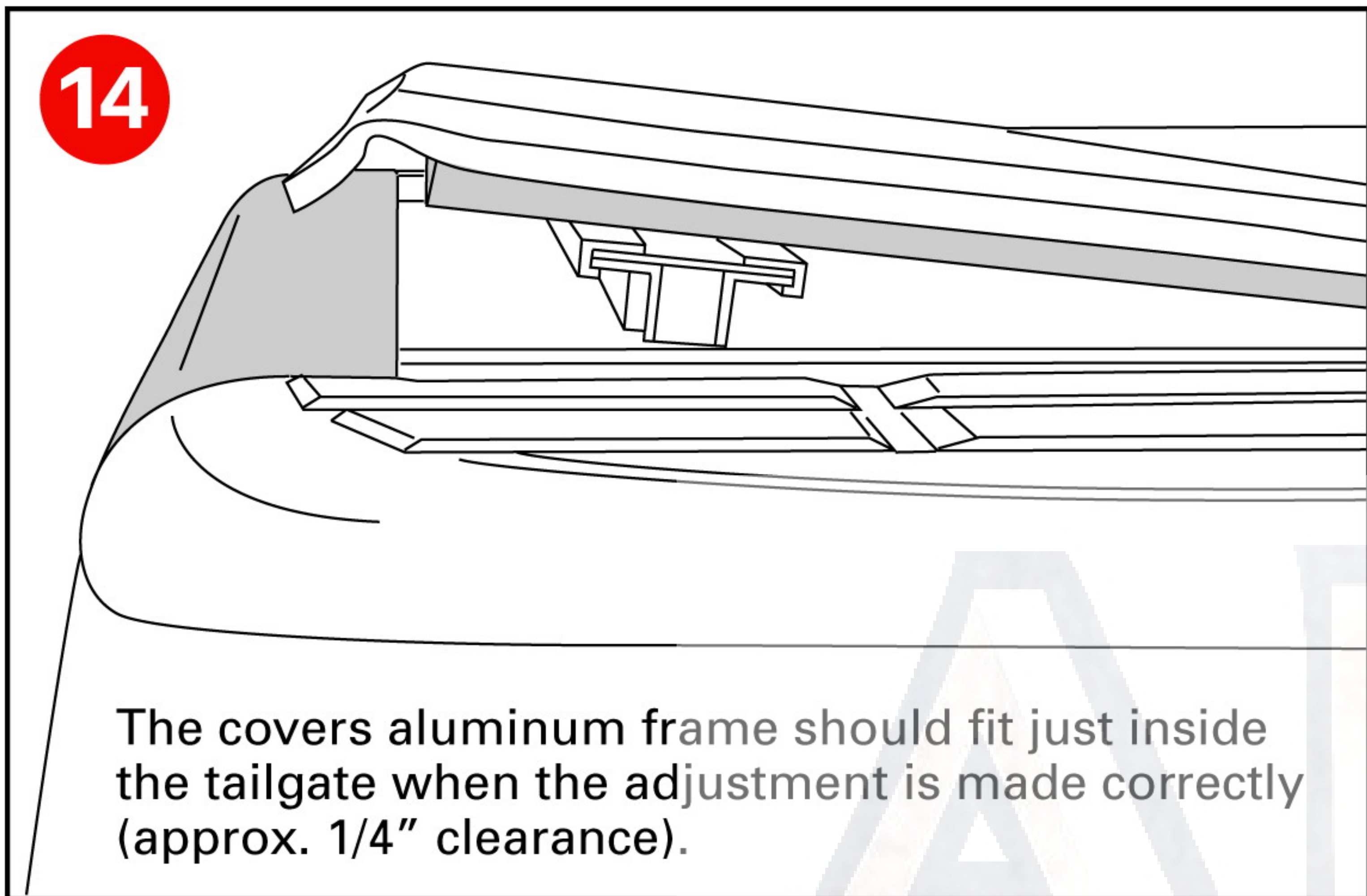
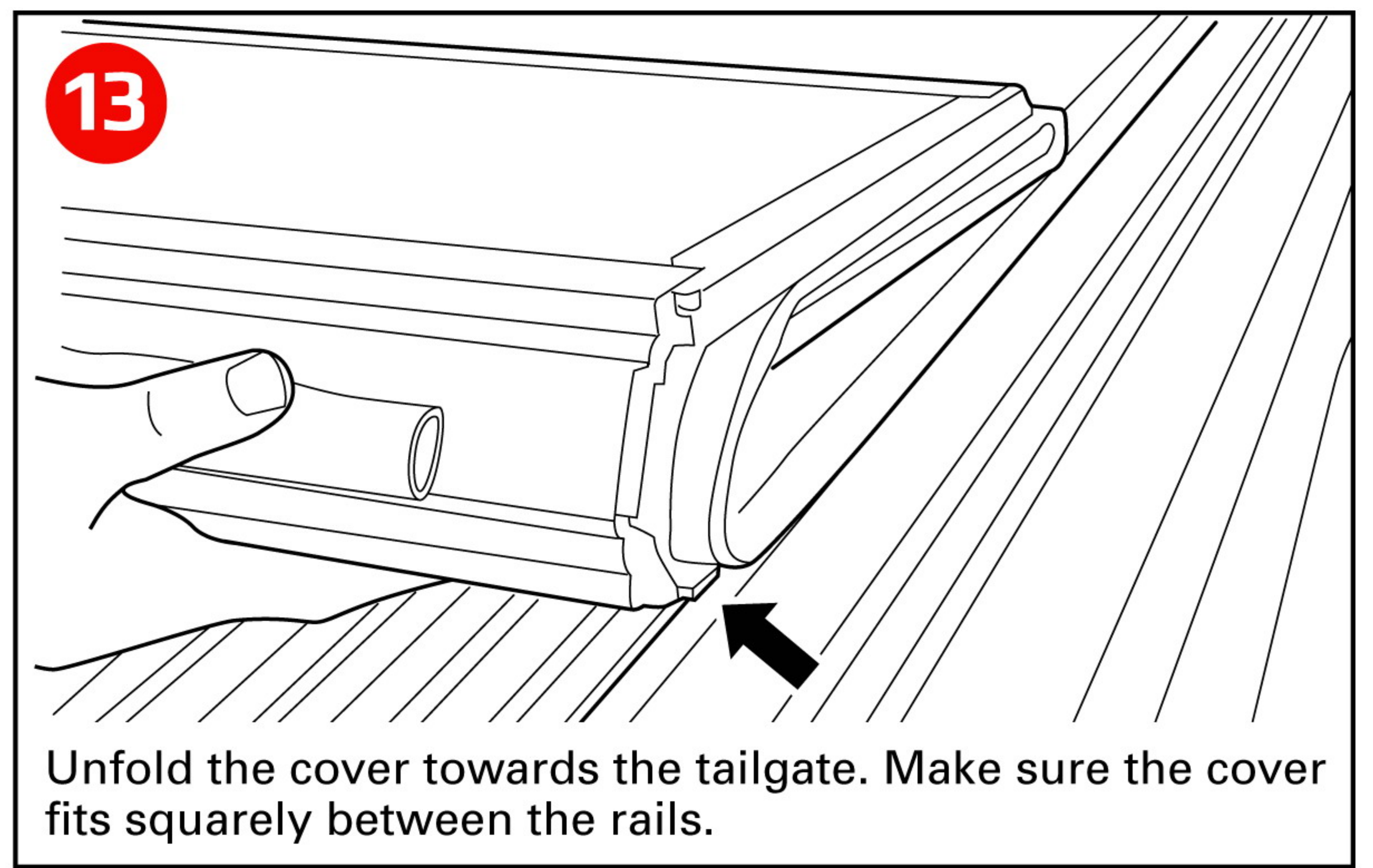
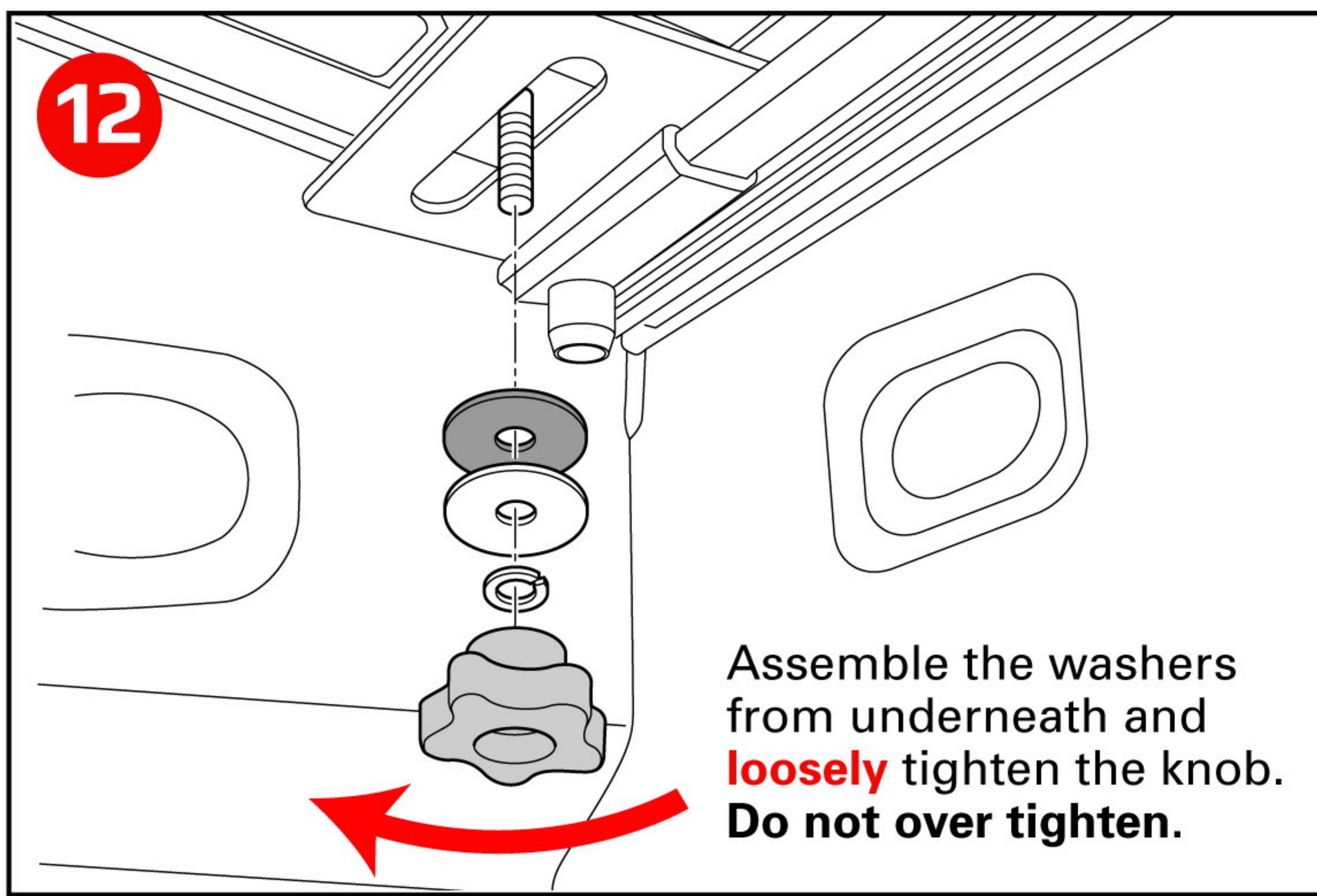
CAB

Insert the large flat bolt through the front panel and silver bracket on each side.



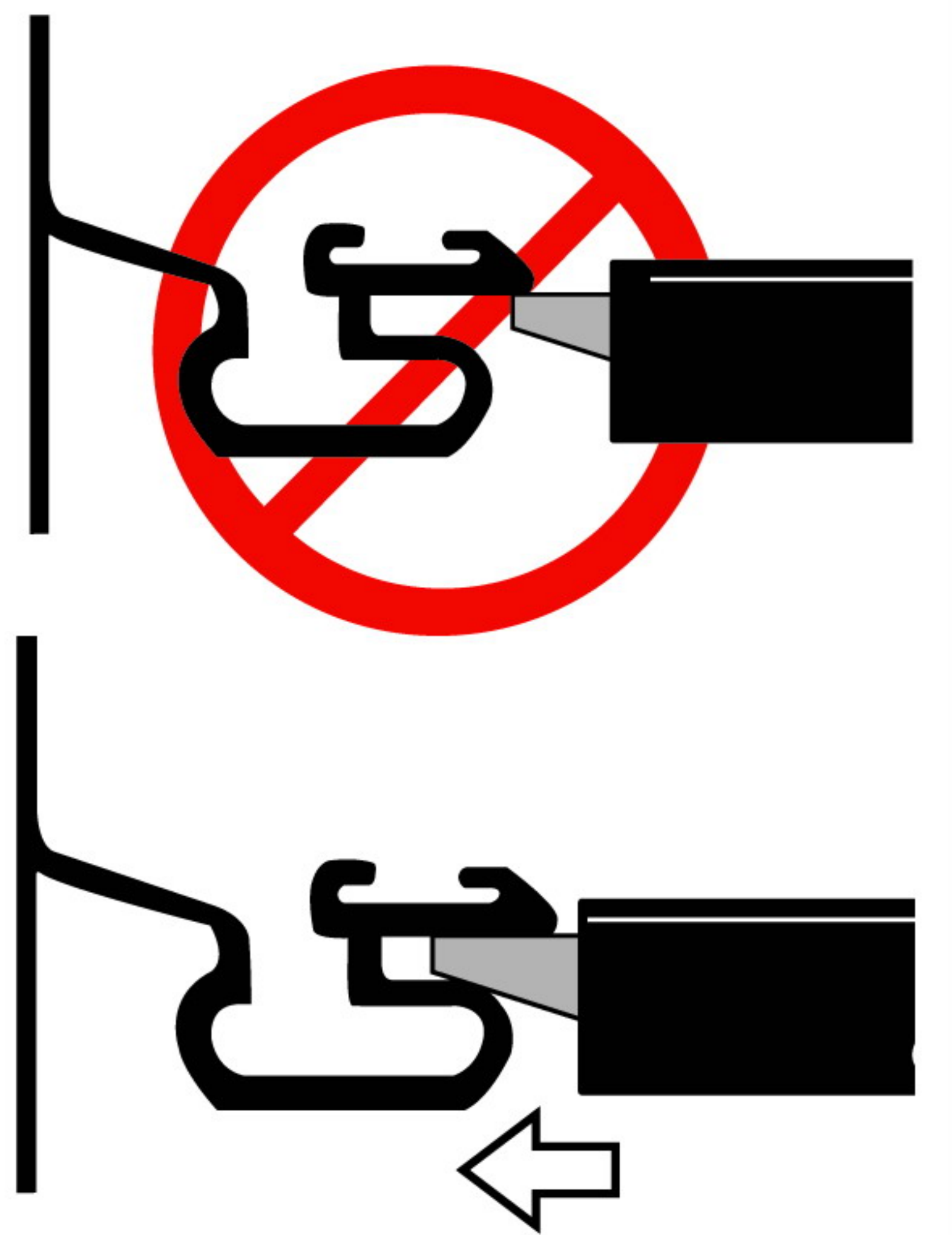
11

The large flat bolt goes down through the front panel on each side. Underneath the cover, the order of washers is as follows: rubber washer first, then large flat stainless washer, then the lock washer, and finally the 5 star finger knob as shown to the left.



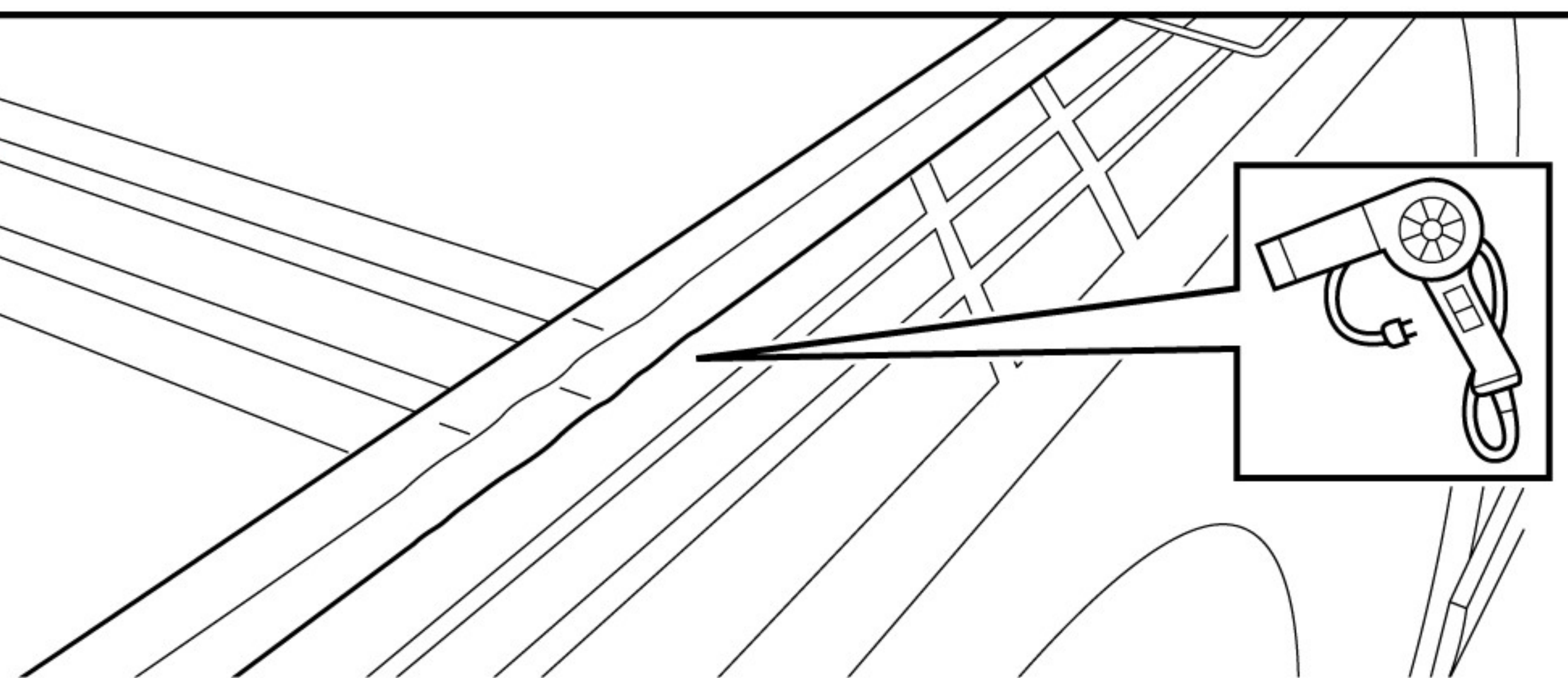
20

Check to see that cover panel latches make proper contact with side rails.



21

Sometimes, your side seals of your BakFlip cover will appear to be wrinkled shortly after initially installing the cover. To assist seals in laying flat you can leave your truck in the sun, or to expedite, just apply heat with a hair dryer or heat gun.



IMPORTANT

IMPORTANT NOTICE

While driving, cover must be completely flat and secure with all latches in the closed position OR completely folded up (all panels) and secured at the cab. **DO NOT DRIVE** with cover partially opened.

Tonneau Cover Positions While Operating Vehicle

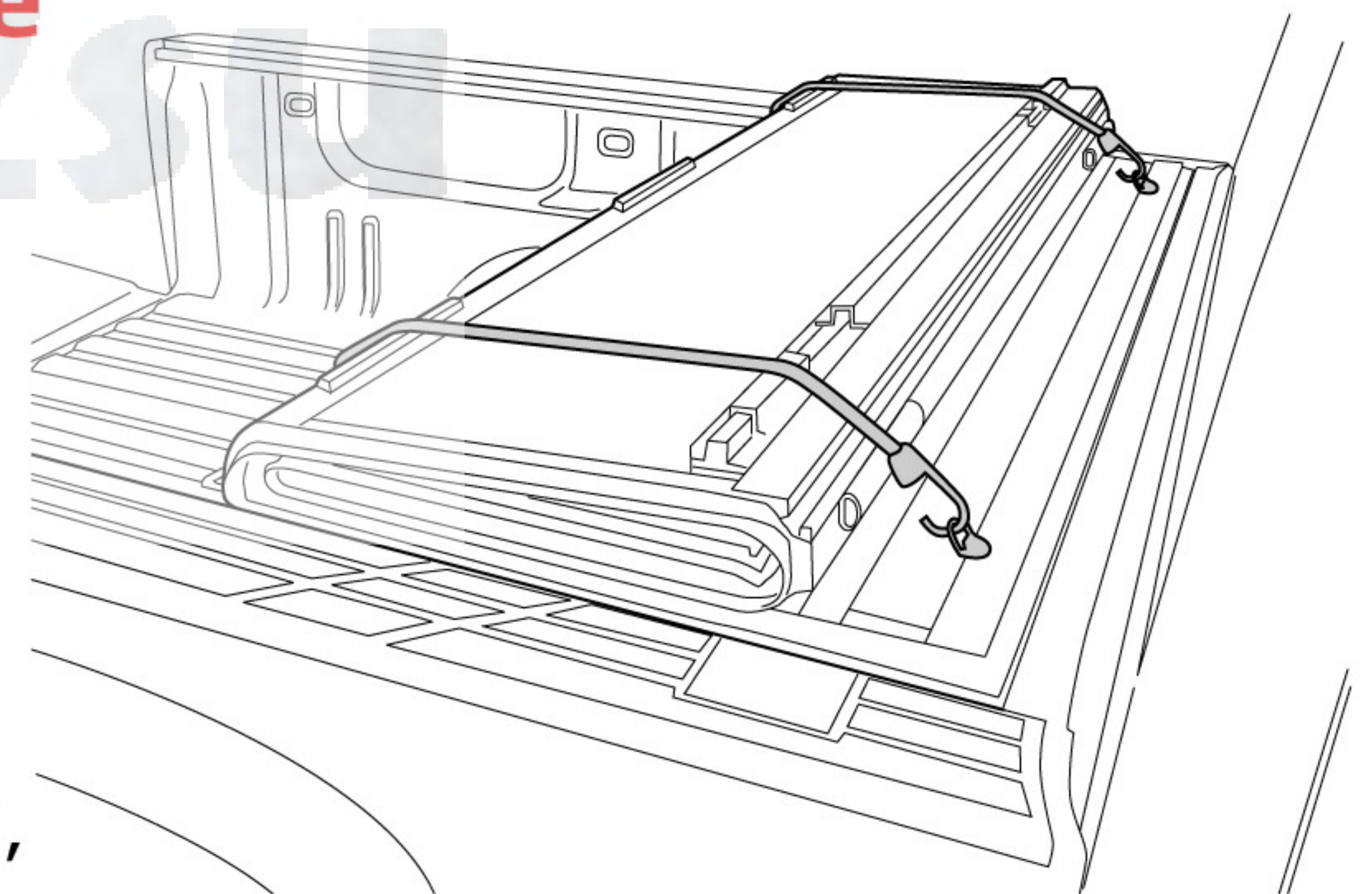
Prior to vehicle operation, tonneau cover **MUST** be properly secured.

CLOSED POSITION

All panels must be closed and **FULLY LATCHED** to tonneau side rail. All panels must be flat and latches engaged

FOLDED UP POSITION

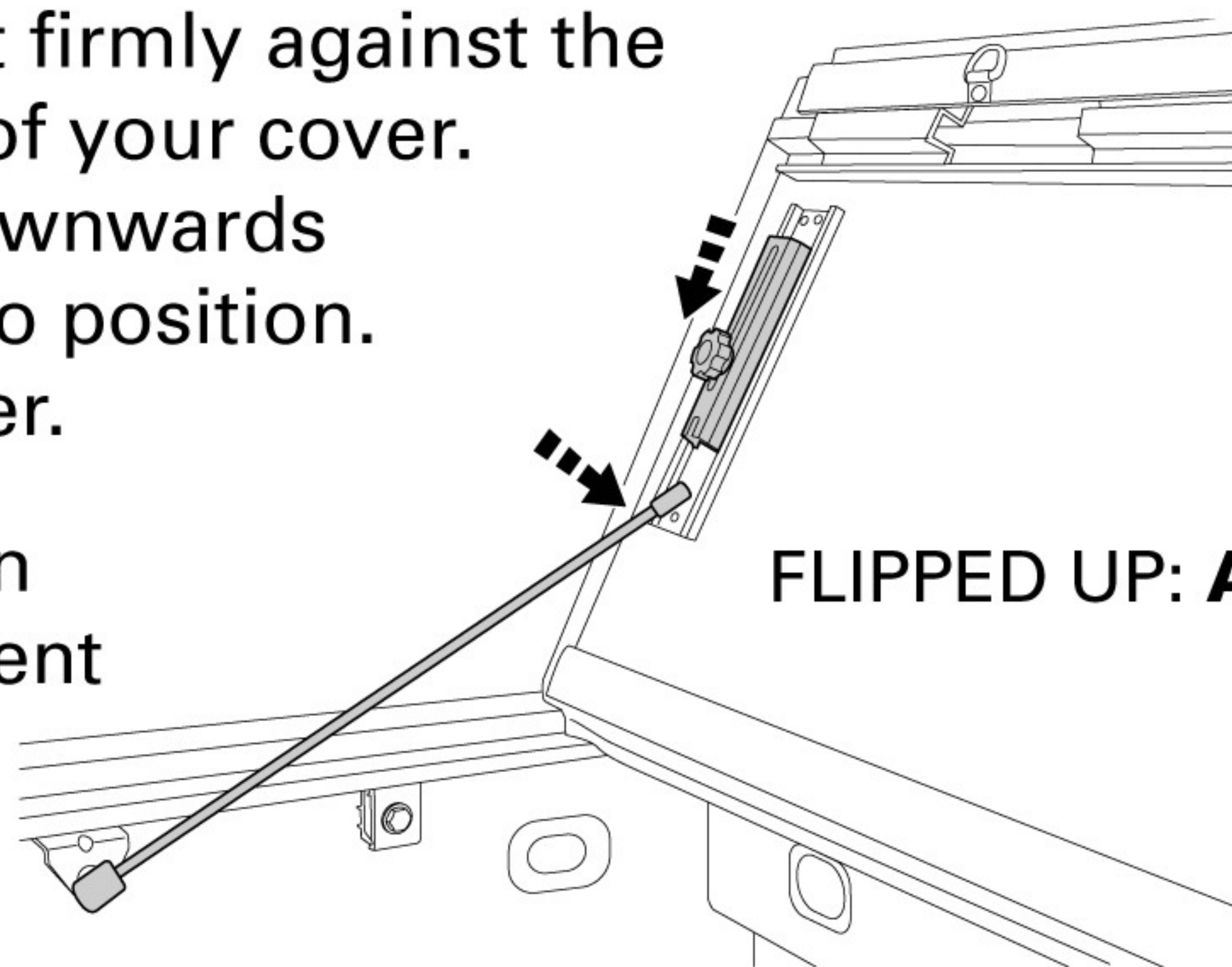
To drive with your BAKFlip in the folded up position, simply make use of the D-rings attached to the front panel. Nylon straps are recommended, ensuring that clasps will not vibrate against the finished surface of the cover.



FOLDED UP POSITION

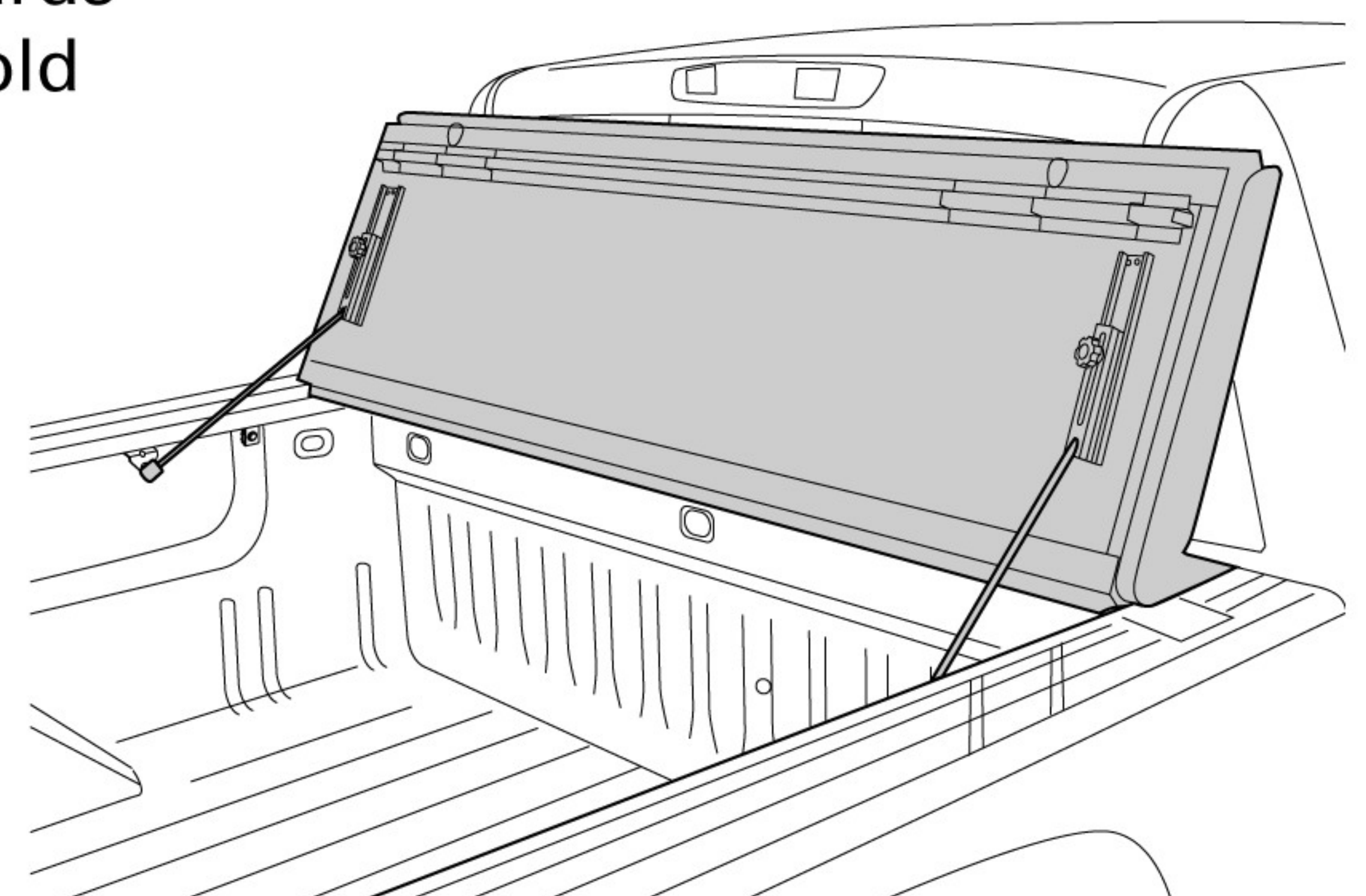
FLIPPED UP POSITION

A) Fold the cover open and lift it until its vertical or past 90 degrees towards your truck cab. Then release the prop rod that is attached to your rail. Fold the prop rod over and position it firmly against the vertical plate on the underside of your cover. Then slide the prop rod locks downwards and tighten the knobs to lock into position. Do this on both sides of the cover.



FLIPPED UP: A

B) Your cover should be firmly in position with little to no movement once the prop rods are locked.



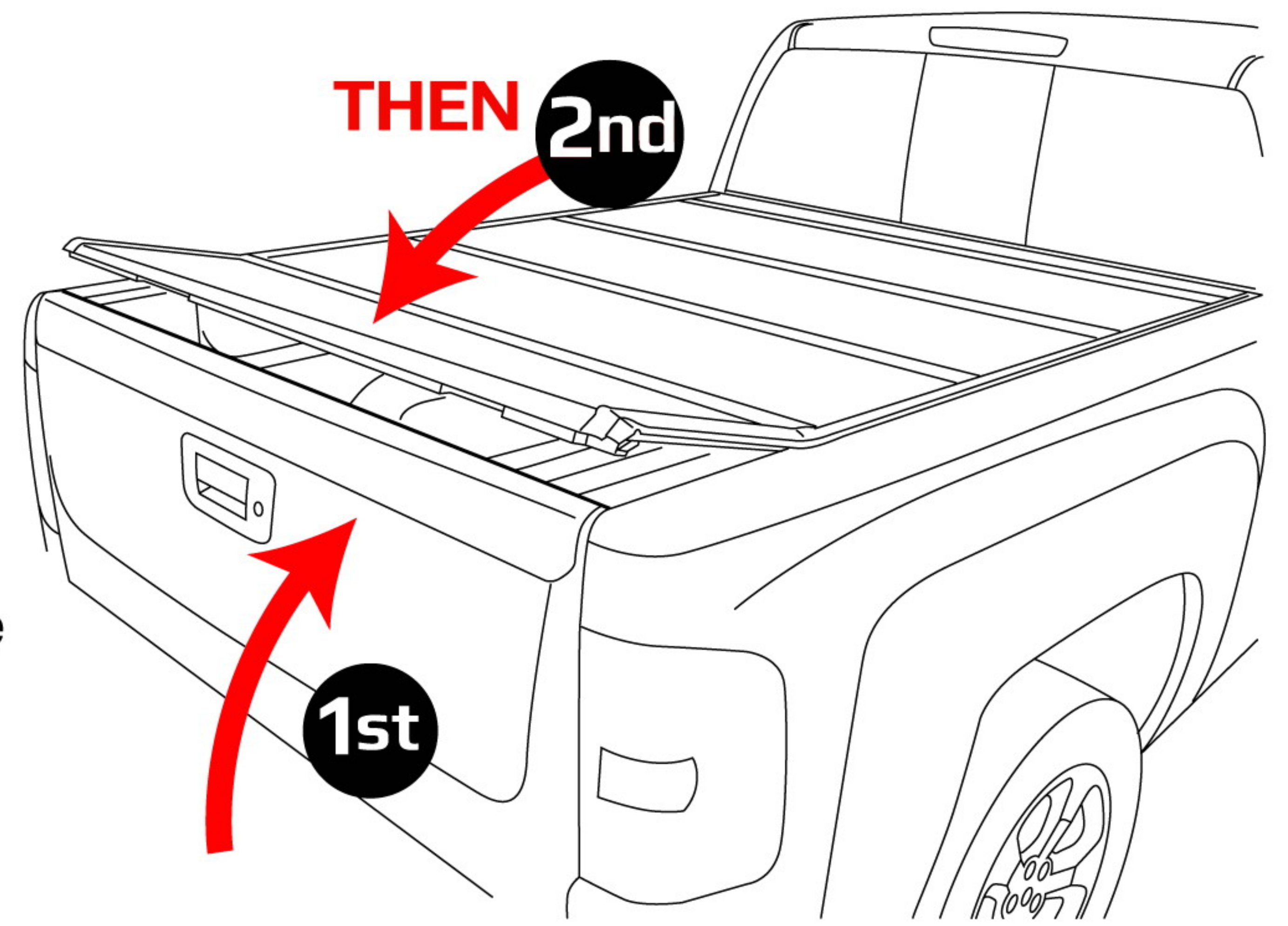
FLIPPED UP: B

Tail Panel Operation TO CLOSE THE TAILGATE PANEL

■ **WARNING** – to avoid damage, always shut tailgate before closing cover. DO NOT shut your tailgate when the rear panel of your cover is closed.

TO RAISE THE TAILGATE PANEL

- Open the tailgate and reach under the panel for the cable at the ends of the panel housing.
- Pull down on either cable to release both rear latches with one hand while lifting the panel with the other hand.



DO NOT ATTEMPT TO DRIVE WITH THE TAIL PANEL IN THE PARTIALLY OPEN POSITION!

Additional Important Operating Tips

- Tonneau cover **MUST** be free of foreign material including snow and ice before opening panels.
- Do NOT tow your vehicle from the rear with the tonneau on your truck.
- Do NOT operate vehicle with objects on top of cover.

FAILURE TO FOLLOW THESE CAUTIONS MAY RESULT IN SEVERE DAMAGE AND WILL VOID YOUR WARRANTY!



Remove any snow or foreign matter before folding cover.



Do NOT tow your vehicle from the rear with this cover on your truck.

AJJS.su