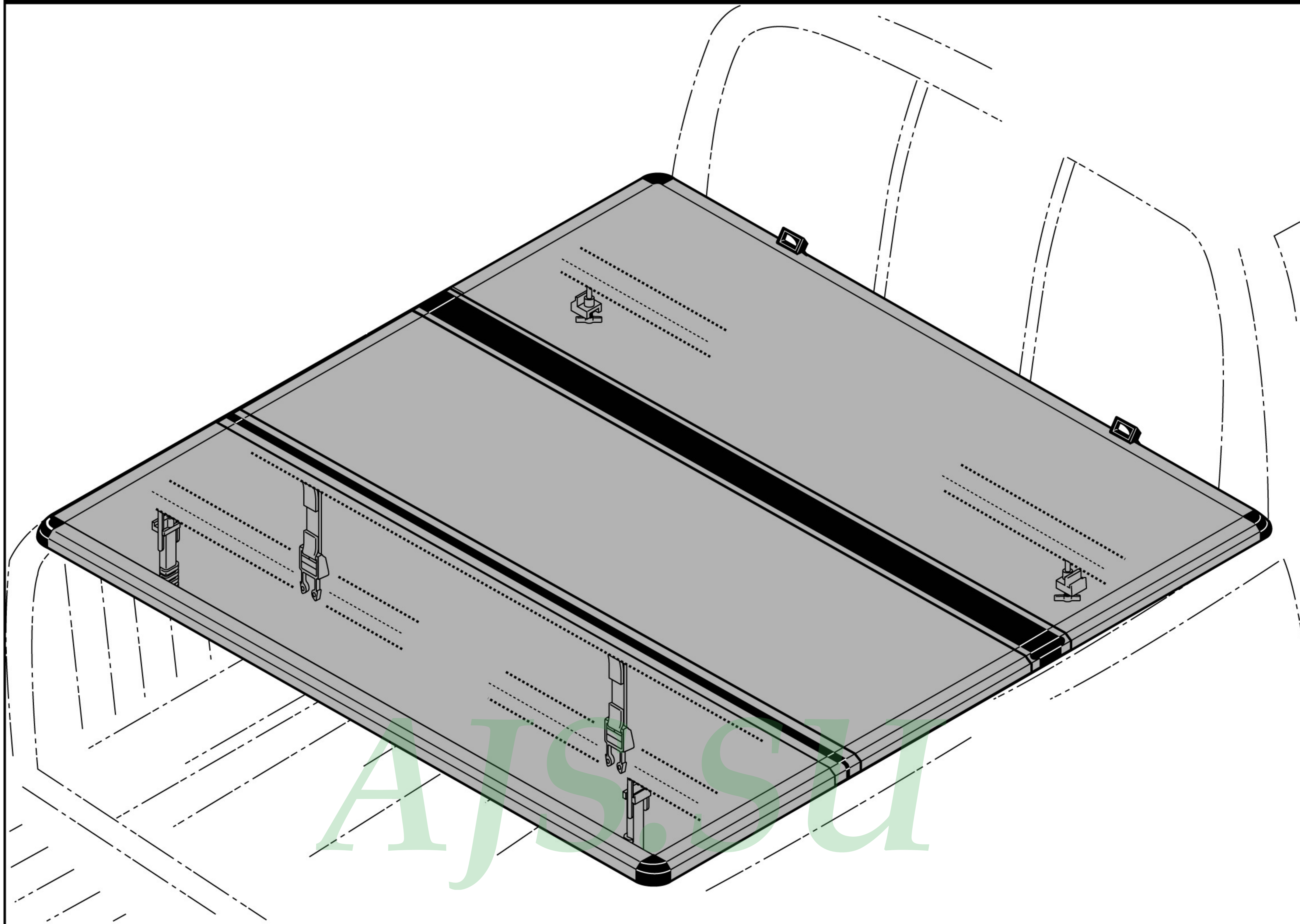


INSTALLATION SHEET



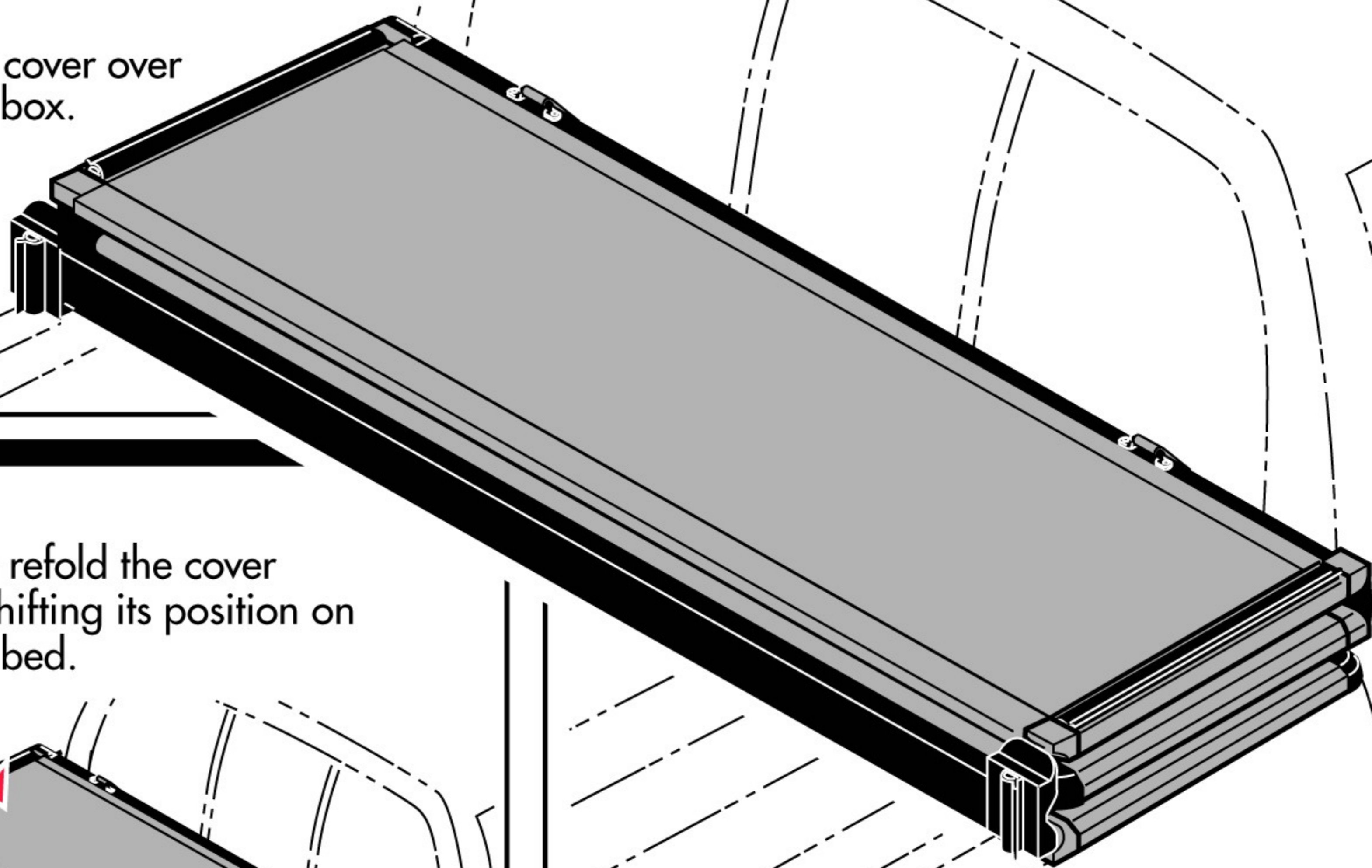
1



Wash truck bed.

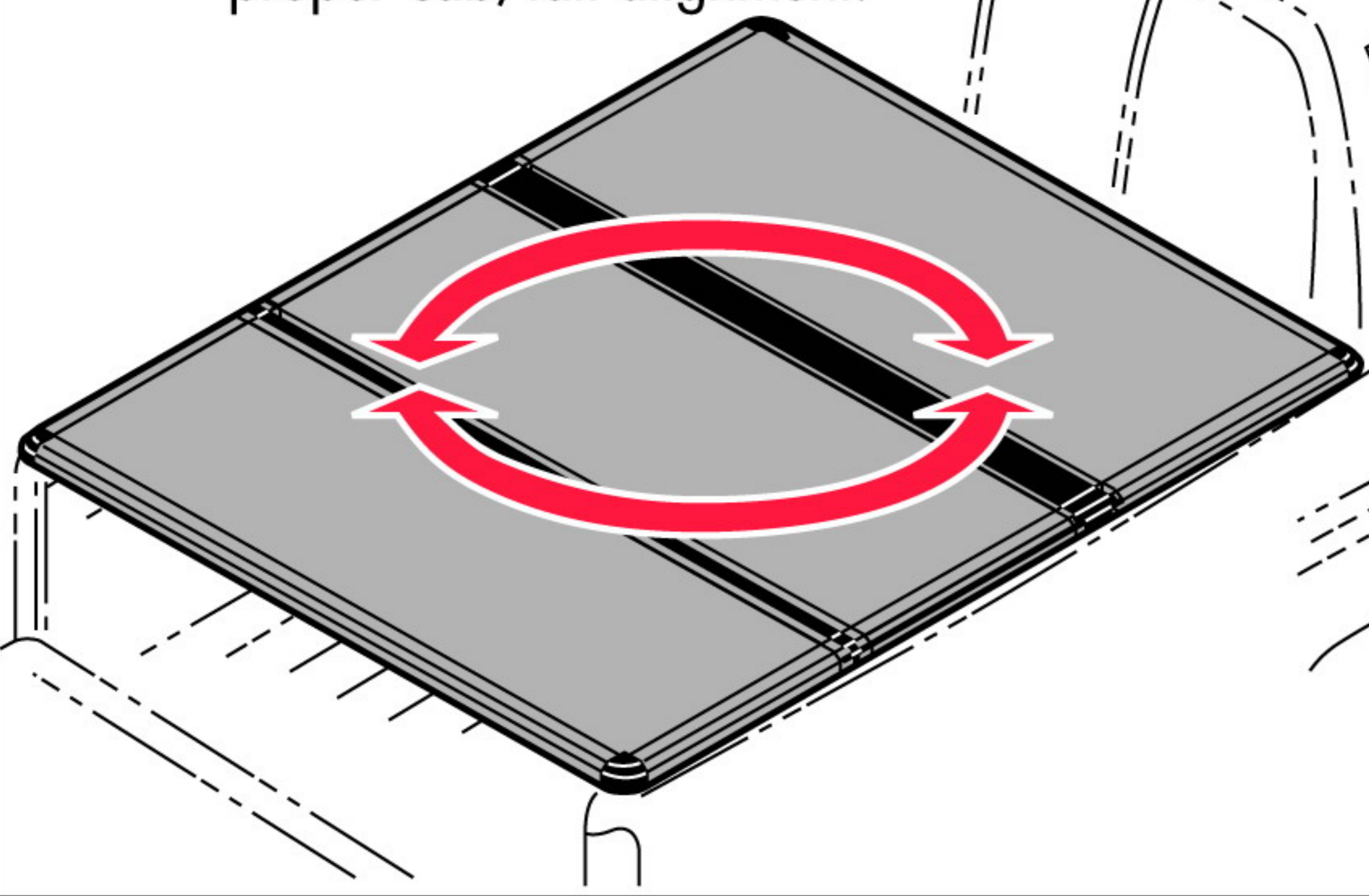
2

Place assembled cover over cab end of truck box.

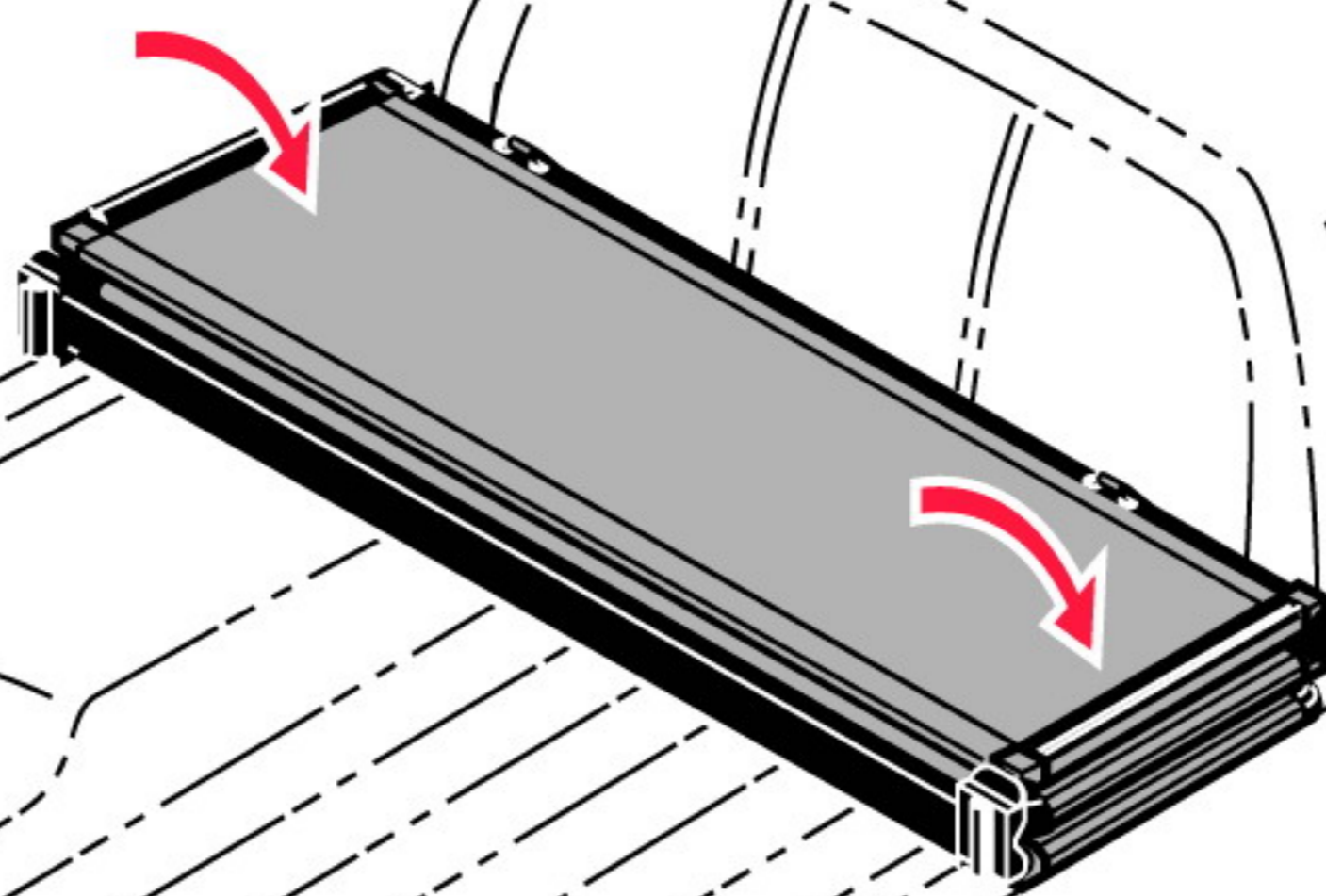


3

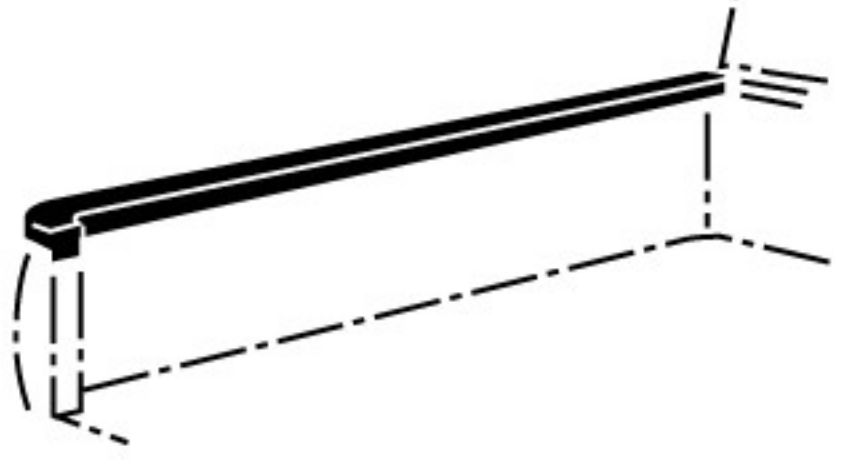
Unfold the cover fully and adjust position over the truck bed for proper cab/tail alignment.



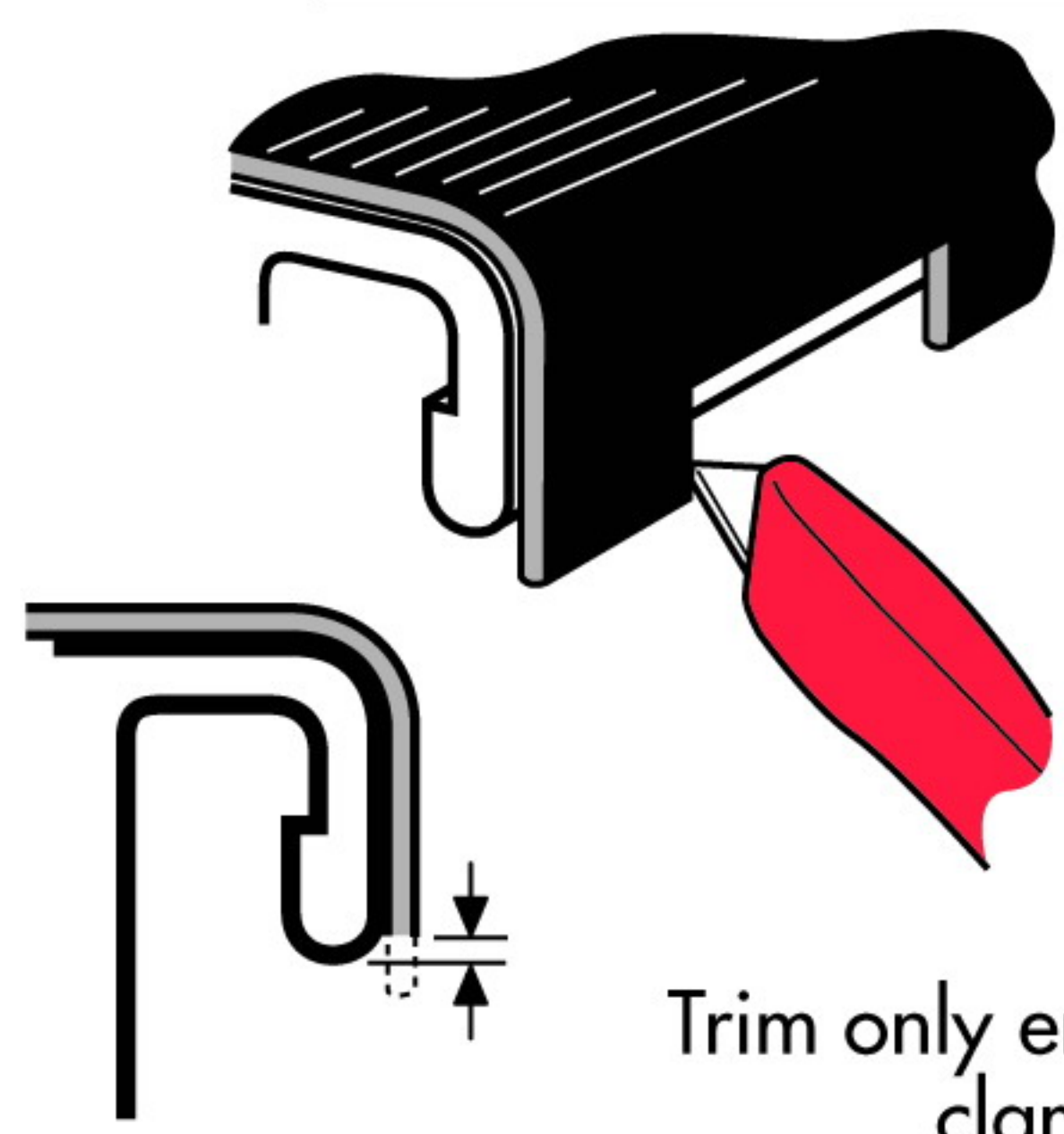
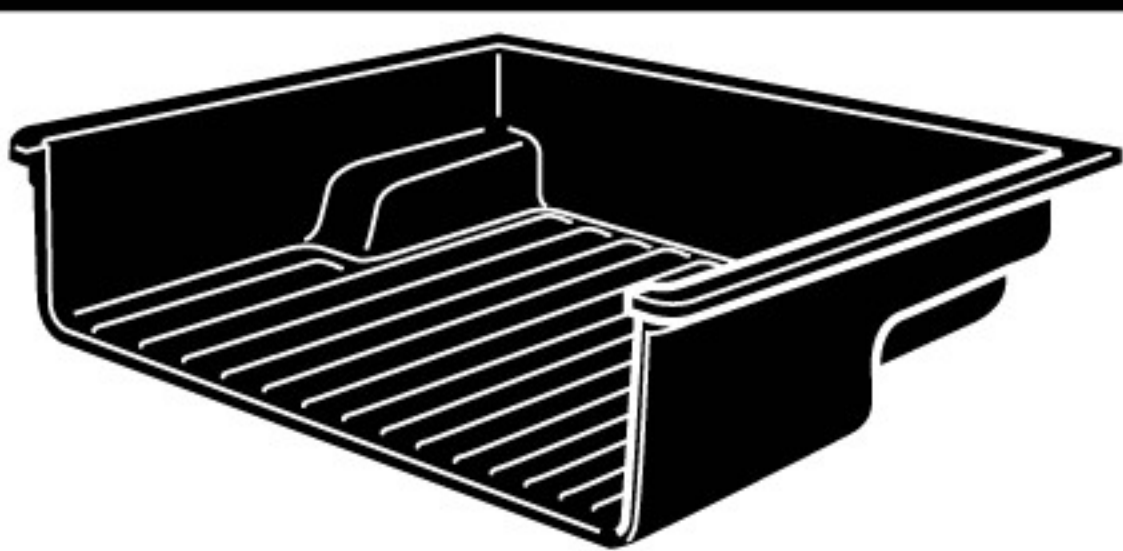
Carefully refold the cover without shifting its position on the truck bed.



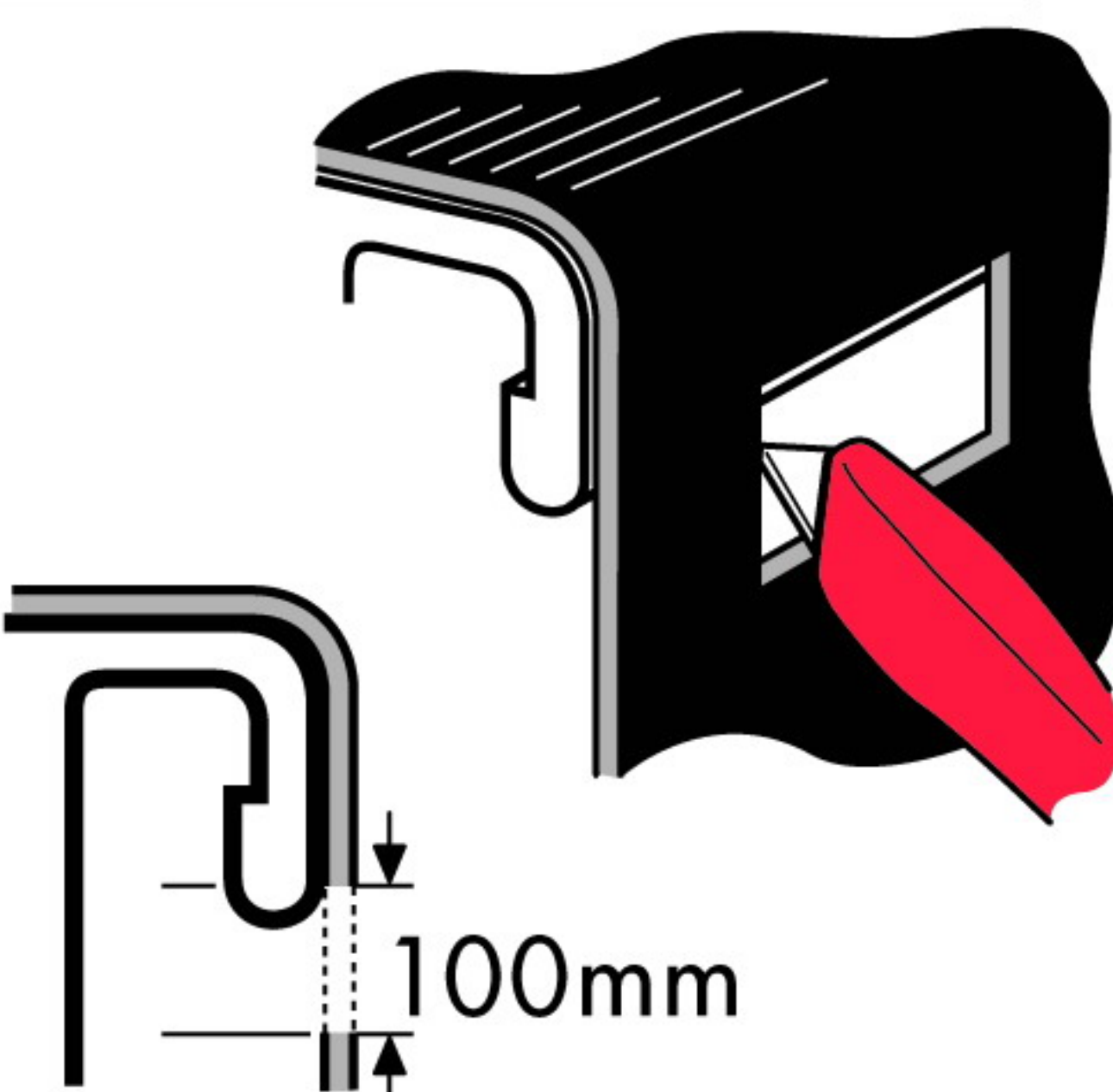
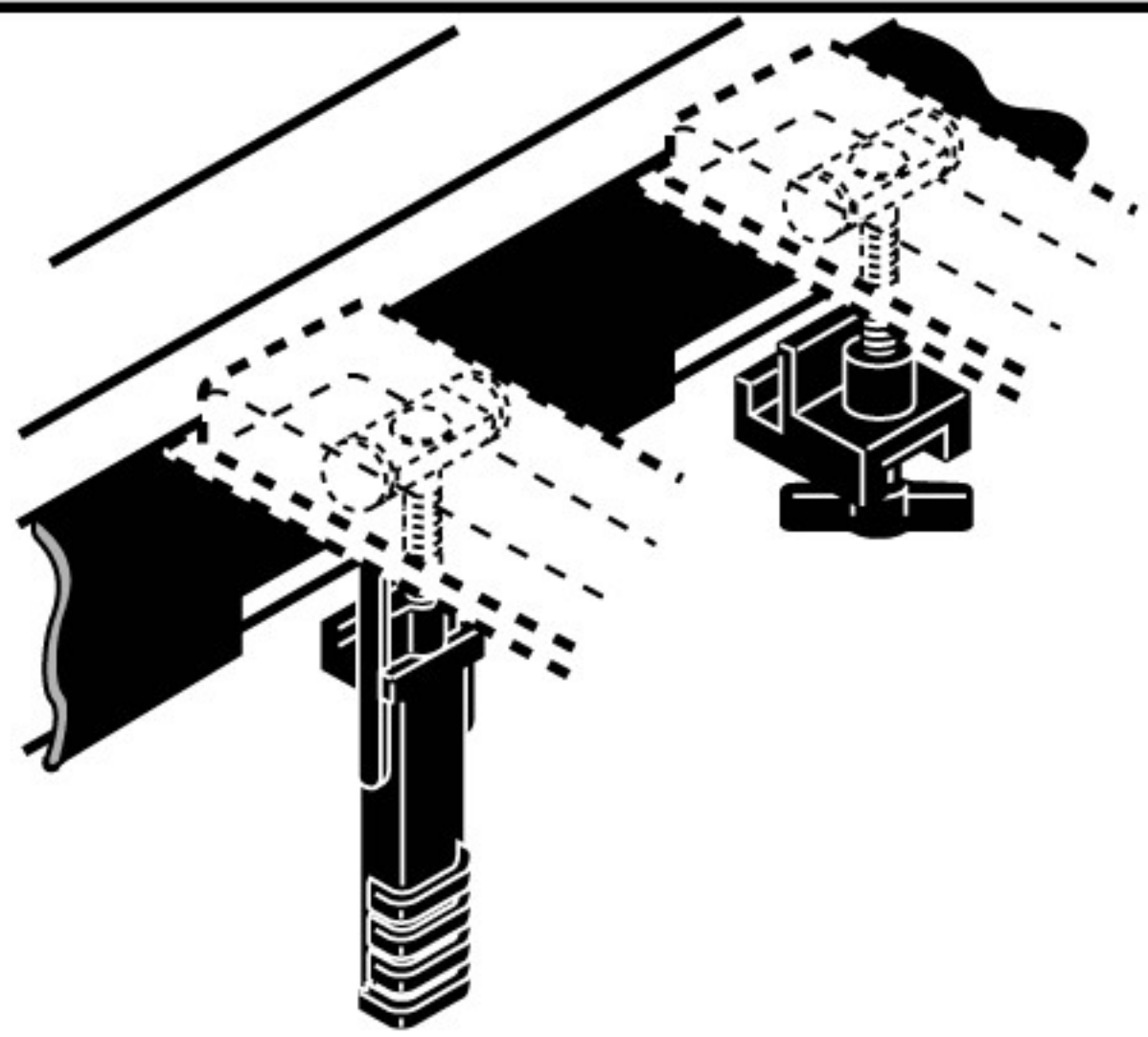
4



If your truck has a bed cap or bedliner that covers the metal bed wall flange, you will need to remove enough so that all the clamps make solid contact.

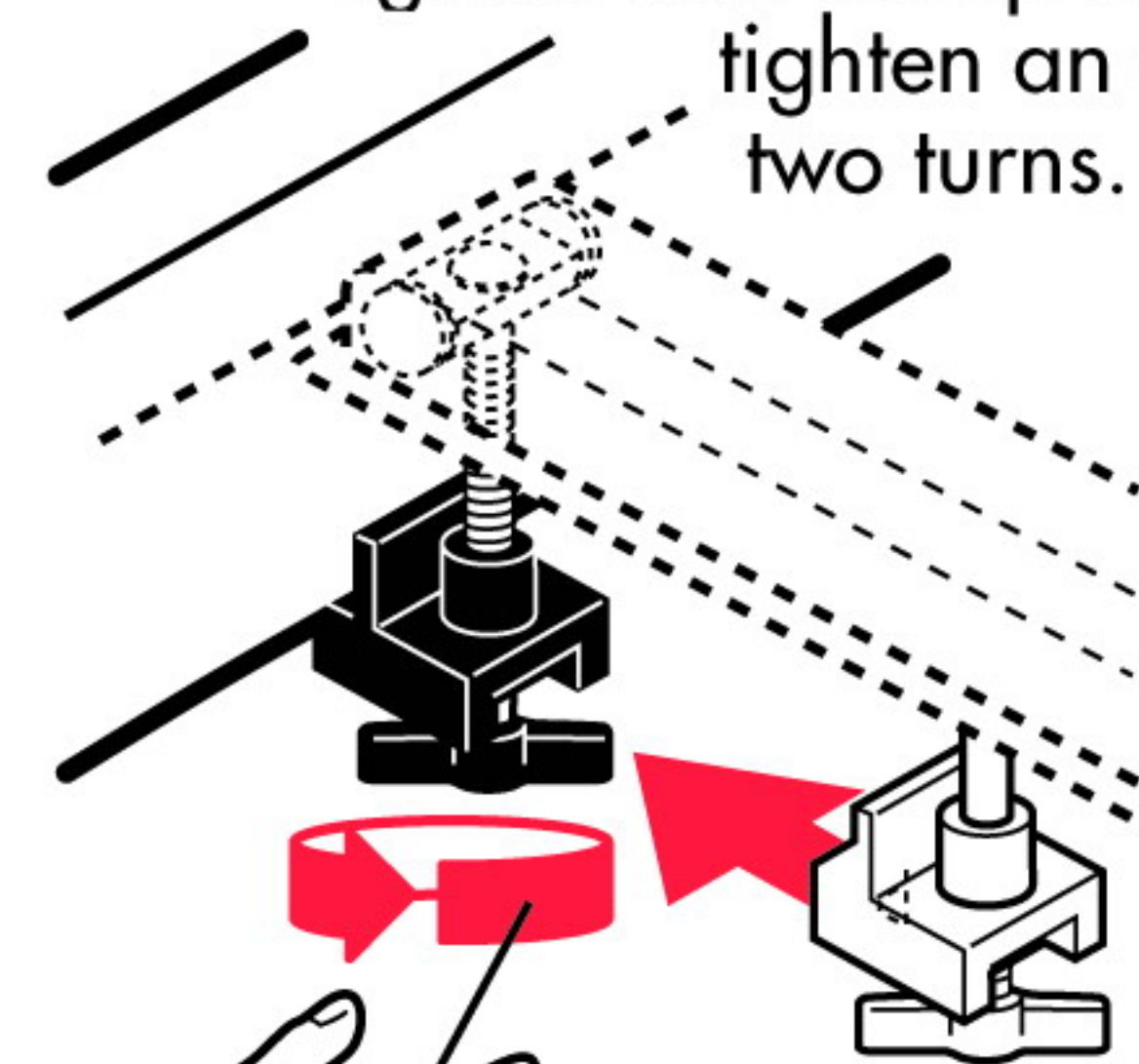


Trim only enough of the bed cap edge or liner wall so clamp contacts bottom of metal flange.



5

Ensure clamp is positioned under bed wall flange. Hand tighten until clamp contacts, tighten an additional two turns.



Do not secure to only lip of bedliner or wall cap. **Do Not Use Wrench or Overtighten!**

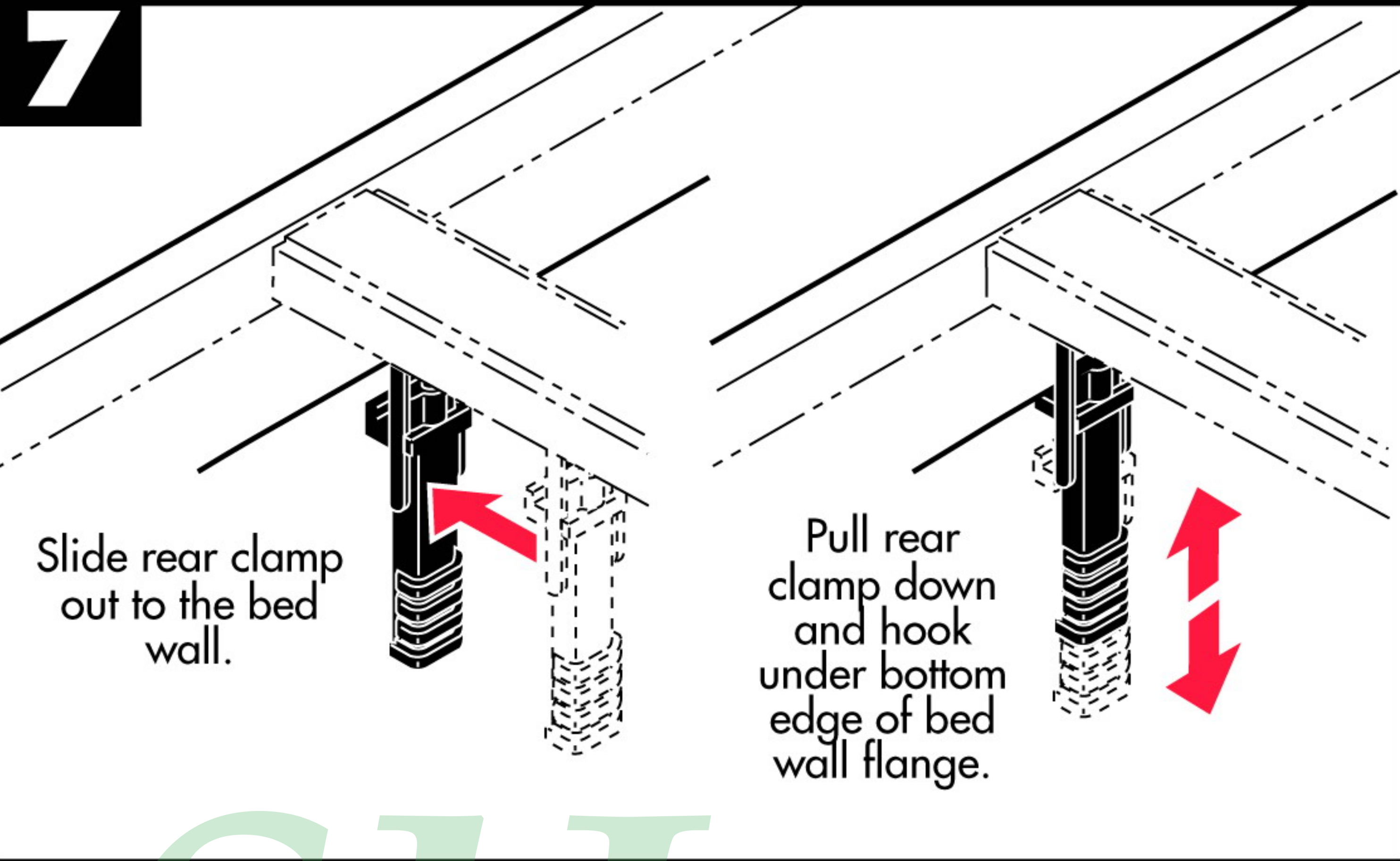
6

With tailgate open and front clamps secure, completely close the cover.



7

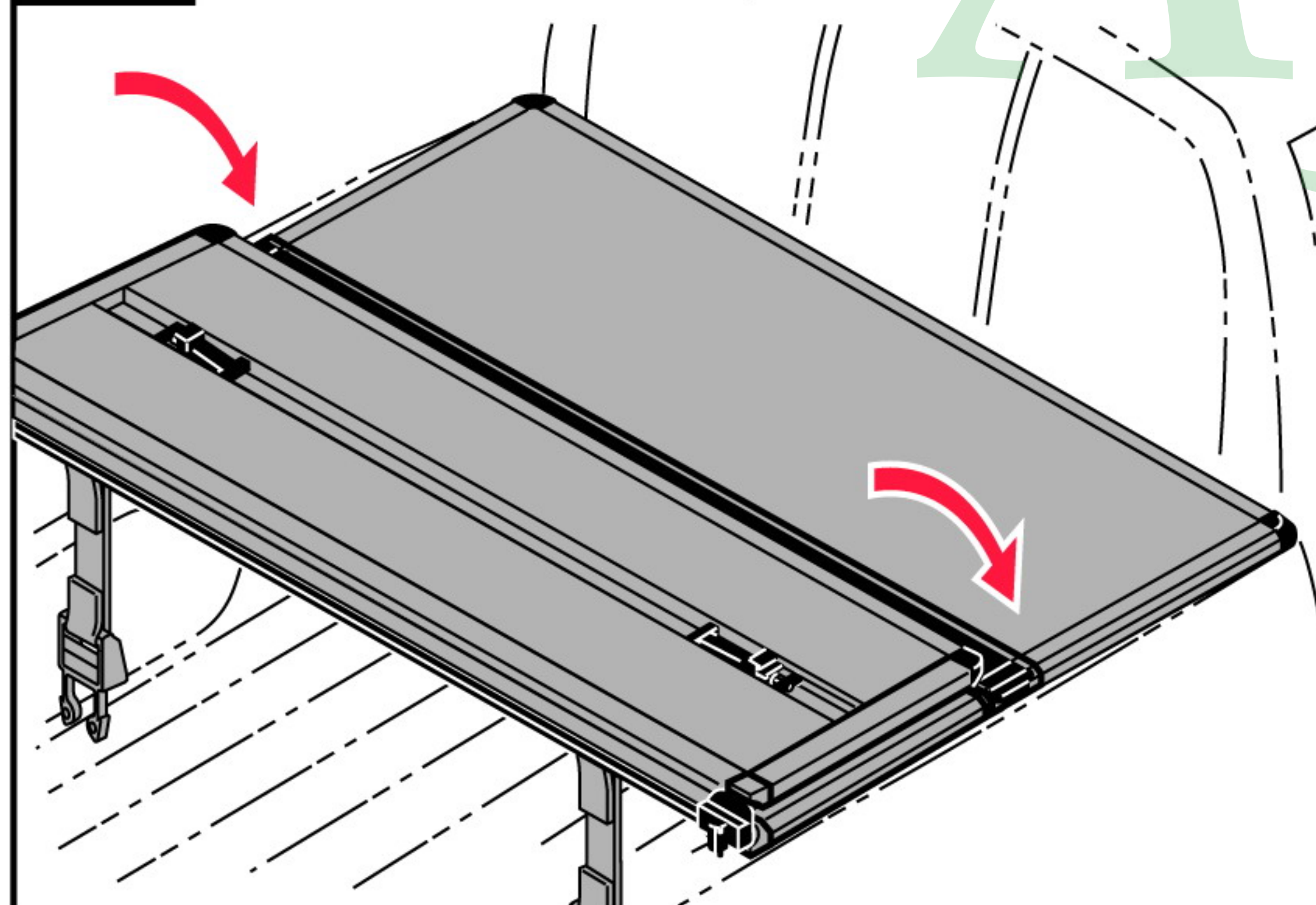
Slide rear clamp out to the bed wall.



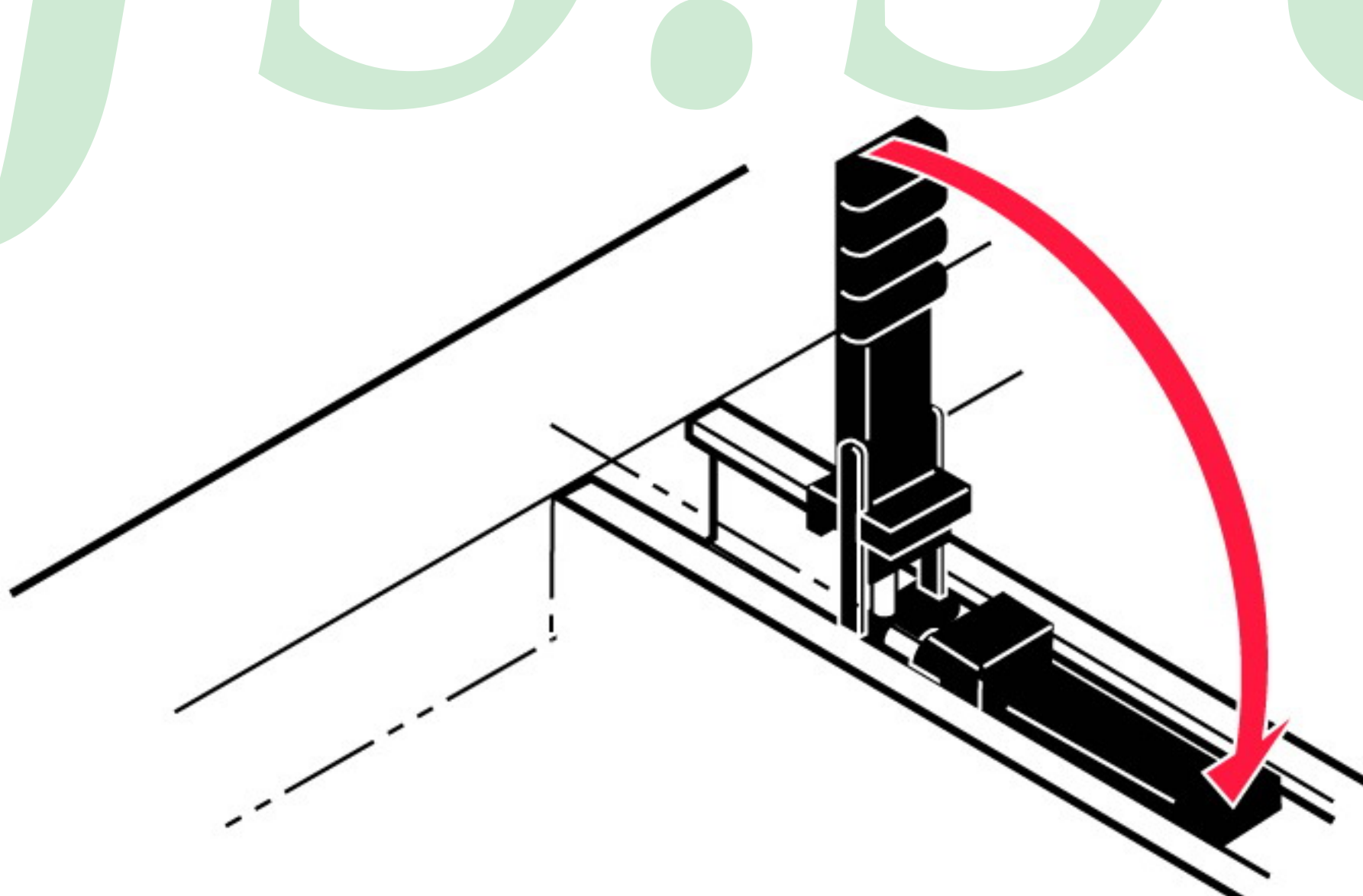
Pull rear clamp down and hook under bottom edge of bed wall flange.

8

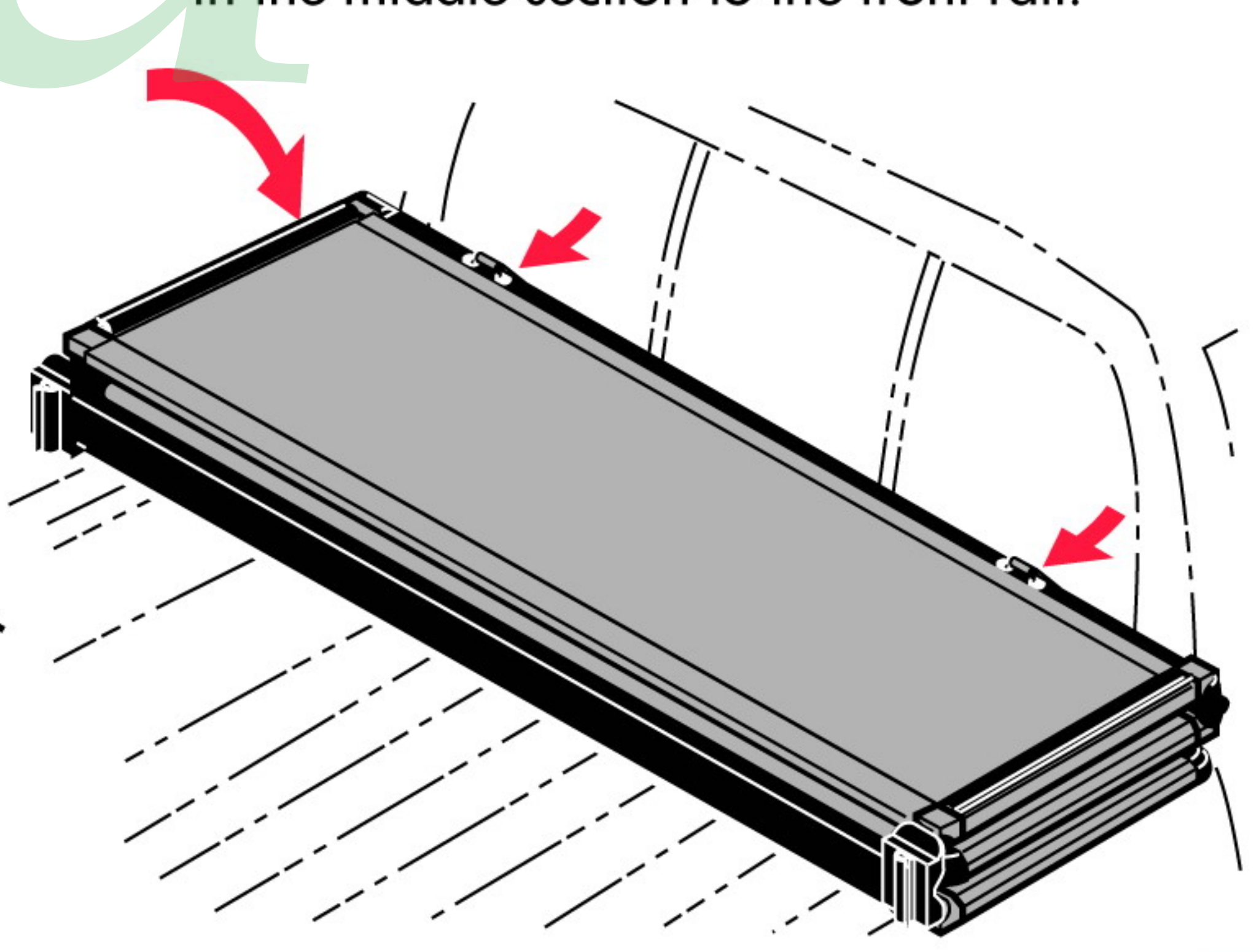
It is convenient to drive with the SOLID FOLD cover open. Release the rear clamps and fold the cover forward.



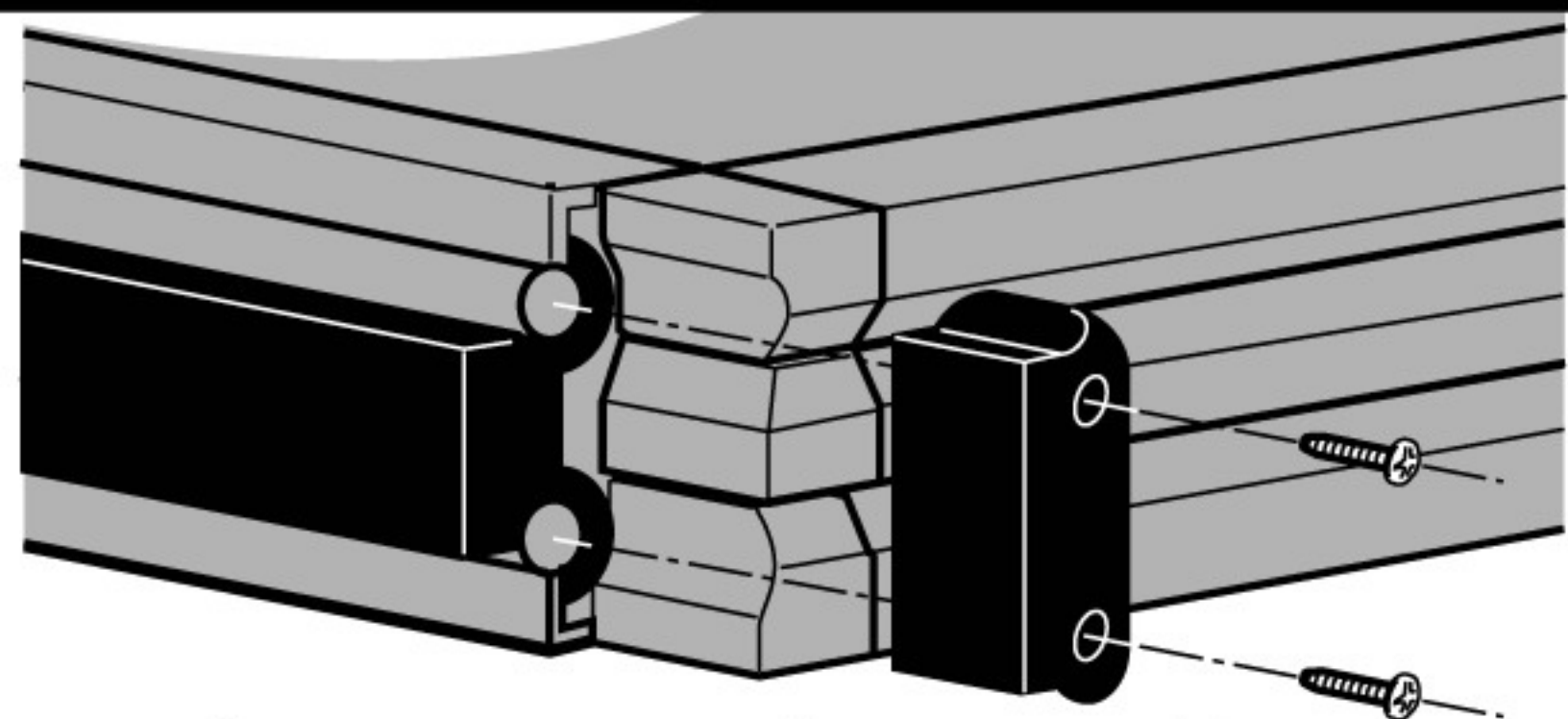
Fold the cover forward and fasten BOTH straps in the middle section to the front rail.



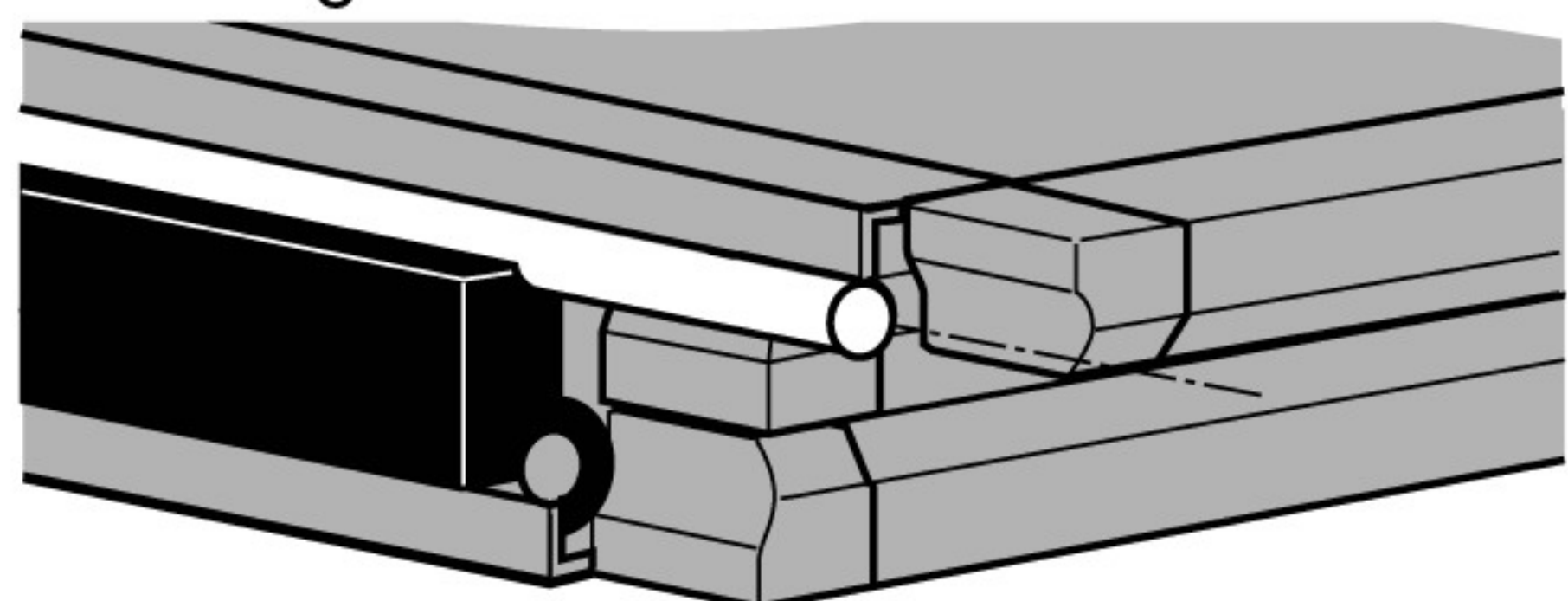
IMPORTANT: Before folding the second section of the cover, rear clamps must be stowed securely into rail.



Remove any snow or foreign matter before folding cover.



To remove foreign matter from panel hinges, remove one end cap and slide panels apart. Reassemble after cleaning.



IMPORTANT NOTICE

While driving, cover must be completely flat and secure with all four clamps in the closed position or completely folded up (all panels) and secured at the cab. **DO NOT DRIVE** with cover in partially opened position.

